

INFORMATION LABELS

NOTE: Emission and Vacuum Routing labels must be special ordered from dealer by supplying description, VIN and owner information.

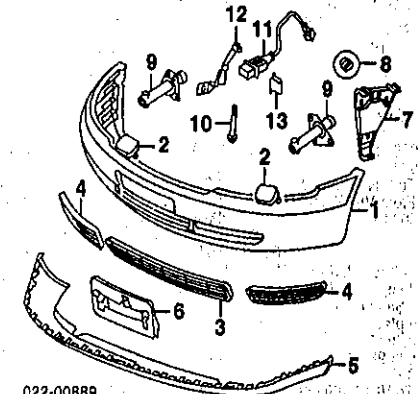
Label, Engine Warning	4A0 010 114 S	6.70
Label, Unleaded Fuel Only	034 010 105 K	1.40
Label, Premium Unleaded Fuel Only	030 010 046 F	2.00
Label, Catalyst Damage-Off Level	037 010 049 R	4.45
Label, Air Bag Renewal	443 010 111 G	2.00
Label, Air Bag	4A0 010 129 C	1.40
Label, Alarm	4D0 010 138 E	1.40
Label, A/C Refrigerant	8D0 010 145 S	1.80
Label, Differential Level	4A0 010 137 K	2.90
Label, Tire Pressure	8D0 010 138 J	1.30

FRONT BUMPER

Use Procedure Explanations 1 and 28 with the following text.

Refinish Front Cover	#1.7
#Includes Refinish Washer Nozzle Caps	
Refinish Washer Nozzle Cap	R/L .2
Refinish Cover Outer Grille	R/L .5
Refinish License Trim Cover	.3
R&I Bumper Assy	#.8
O/H Bumper Assy (Includes R&I)	#2.4
#Includes R&I/R&R Engine Under Cover Pan	
Add to R&R or O/H Front Bumper w/Fog Lamps	.4

NOTE: All Parts in this section are included in overhaul unless noted otherwise.



022-00889

1 Cover, Front (P)		
A4	8D0 807 103 S GRU	#2.4 393.95
S4	8D0 807 103 J GRU	#2.4 393.95
#Includes R&I/R&R Engine Under Cover Pan		
2 Cap, Washer Nozzle (P)	R 8D0 955 276 GRU	11.20
L	8D0 955 275 GRU	11.20
(P) Paint to Match		
3 Grille, Cover Center		
A4	8D0 807 683 C 3FZ	.3 26.30
S4	8D0 807 683 G 3FZ	.3 26.30
4 Grille, Cover Outer		
A4		
4 Cyl		
1996-98	R 8D0 807 346 H 3FZ	.2 20.80
L	8D0 807 345 A 3FZ	.2 20.80
1999		
To VIN X199999	R 8D0 807 346 H 3FZ	.2 20.80
L	8D0 807 345 A 3FZ	.2 20.80
From VIN X200001	R 8D0 807 346 R 3FZ	.2 16.85
L	8D0 807 345 S 3FZ	.2 16.85
2000	R 8D0 807 346 R 3FZ	.2 16.85
L	8D0 807 345 S 3FZ	.2 16.85
2001-02	R 8D0 807 346 R 3FZ	.2 16.85
L	8D0 807 345 S 3FZ	.2 16.85
V6		
1996-98	R 8D0 807 346 H 3FZ	.2 20.80
L	8D0 807 345 C 3FZ	.2 20.80
1999		
To VIN X199999	R 8D0 807 346 H 3FZ	.2 20.80
L	8D0 807 345 A 3FZ	.2 20.80
From VIN X200001	R 8D0 807 346 R 3FZ	.2 16.85
L	8D0 807 345 R 3FZ	.2 16.85
2000	R 8D0 807 346 R 3FZ	.2 16.85
L	8D0 807 345 R 3FZ	.2 16.85
2001-02	R 8D0 807 346 R 3FZ	.2 16.85
L	8D0 807 345 R 3FZ	.2 16.85
S4 (P)	R 8D0 807 346 L GRU	.2 20.80
L	8D0 807 345 L GRU	.2 20.80
(P) Paint to Match		
5 Spoiler, Bumper	8D0 807 110 L 3FZ	#.3 67.00
#w/Front Bumper Cover Removed		
6 Brkt, License Plate		
A4	8D0 807 285 3FZ	.2 50.80
S4	8D0 807 285 C 3FZ	.2 50.80
Cover, License Trim (P)		
S4	8D0 807 977 GRU	.1 51.80
(P) Paint to Match		

AUDI A4/S4 1996-02

SECTION INDEX

A/C Heater/Ventilation	25
A/C Refrigerant Capacities	25
ABS/Brakes	28
Air-Bag System	27
Air Cleaner	34
Back Window	49
Center Console	39
Clear Coat Identification	21
Cooling	23
Cowl & Dash	38
Cruise Control System	29
Electrical	37
Emission System	36
Engine Under Cover	34
Engine/Trans	32
Engine/Trans Mounts	33
Exhaust	35
Front Bumper	21
Front Door	42
Front Drive Axle	30
Front Fender	26
Front Inner Structure	26
Front Lamps	22
Front Seal	42
Front Steering Linkage/Gear	30
Front Suspension	29
Fuel Tank	54
Grille	22
Hood	23
Information Labels	2
Instrument Panel	38
Liftgate	51
Luggage Lid	51
Paint Code Location	21
Quarter Glass	50
Quarter Panel	50
Rear Body	54
Rear Bumper	56
Rear Door	45
Rear Drive Axle	53
Rear Lamps	56
Rear Seat	42
Rear Suspension	52
Rocker/Pillars/Floor	40
Roof	47
Seat Belts	42
Special Cautions	21
Steering Pump	31
Steering Wheel/Column	31
Sunroof	49
Turbocharger/Intercooler	34
Underhood Dimensions	26
Wheel	29
Windshield	37

SPECIAL CAUTIONS

AIR BAG
Refer to Procedure Explanation 29 for Supplemental Restraint/Air Bag Special Cautions.

ANTILOCK BRAKE SYSTEM
Manufacturer advises that ABS control unit be disconnected before welding and removed if a temperature of 85 degrees C (185 degrees F) is to be exceeded for more than two hours.

REFINISH BAKING
Manufacturer advises that after baking, sufficient cooling time should be allowed before attempting to start vehicle.

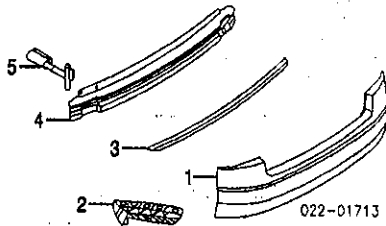
SUSPENSION
Manufacturer advises that some new fasteners must be used whenever old fasteners are loosened or removed.

PAINT CODE LOCATION

Paint code located in luggage compartment.

CLEAR COAT IDENTIFICATION

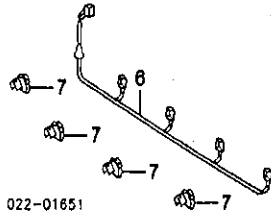
All colors except code LY3H Laser Red & Casablanca White are clear coat.



022-01713

2 Guide, Rear Cover	R/L	8E0 807 454-3	8.05
3 Moulding, Rear Cover		8E5 807 443 A 1K5	52.95
4 Bar, Impact		8E0 807 313 B	IOH 124.25
5 Absorber, Impact	R/L	8E0 807 276-5	#.2 231.60

#w/Bumper Assy Removed, Not Included in O/H



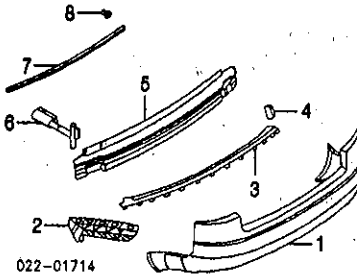
022-01651

6 Harness, Parking Aid	N.A.		0.00
7 Sensor, Parking Aid (4)		4B0 919 275 B	78.25

WAGON

Refinish Rear Cover	1.8
Add for Blackout	1.8
R&I Bumper Assy	1.2
O/H Bumper Assy (Includes R&I)	1.7
Add to R&R or O/H Rear Bumper w/Parking Aid	.4

NOTE: All Parts in this section are included in overhaul unless noted otherwise.

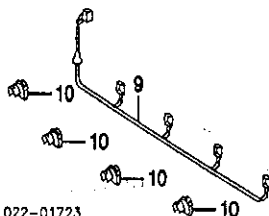


022-01714

1 Cover, Rear (P)			
w/Parking Aid	8E9 807 301 M GRU	1.8	0.00
w/o Parking Aid	8E9 807 301 L GRU	1.8	0.00
(P) Paint to Match			
2 Guide, Rear Cover	R/L	8E0 807 454-3	8.05
3 Cover, Upper Center		8E9 807 421 A 01C	20.20
4 Cover, Upper Right		8E9 807 984 A 01C	20.20
5 Bar, Impact		8E0 807 313 B	IOH 124.25
6 Absorber, Impact	R/L	8E0 807 276-5	#.2 231.60

#w/Bumper Assy Removed, Not Included in O/H

7 Support, Rear Cover		8E9 807 989	6.75
8 Nut, Rear Cover Support (5)		N 105 073 01	.33



022-01723

9 Harness, Parking Aid	N.A.		0.00
10 Sensor, Parking Aid (4)		4B0 919 275 B	78.25

FRONT BUMPER Cont'd

Table listing bumper components: 7 Brkt, Guide 1996-98, 8 Nut, Expanding (3/Side) 1996-98, 9 Absorber, Impact A4, 10 Bolt, Mounting, 11 Sensor, Outside Temp, 12 Brkt, Sensor, 13 Clamp, Sensor.

GRILLE

Table listing grille components: R&I Grille Assy, 1 Grille Assy A4, 2 Emblem, Grille, 3 Nameplate "Quattro".

FRONT LAMPS

COMBINATION LAMP 1996-98

Table listing lamp components: Aim Lamps, R&I Combination Lamp Assy, 1 Lamp Assy, Combination, 2 Trim, Lamp, 3 Cap, Protective, 4 Harness, Lamp, 5 Bulb, Halogen High Beam, 6 Bulb, Halogen Low Beam, 7 Bulb, Fog Lamp.

Table listing lamp components: 8 Screw, Mounting (4/Side), 9 Brkt, Mounting, COMBINATION LAMP 1999 TO VIN X199999.

Table listing lamp components: 1 Lamp Assy, Combination, 2 Trim, Lamp, 3 Cap, Protective, 4 Harness, Lamp, 5 Bulb, Halogen High Beam, 6 Bulb, Halogen Low Beam, 7 Bulb, Fog Lamp.

COMBINATION LAMP 1999 FROM VIN X200001

Table listing lamp components: Aim Lamps, R&I Combination Lamp Assy, 1 Lamp Assy, Combination, 2 Cap, High Beam Protective, 3 Cap, Low Beam Protective, 4 Socket, Bulb, 5 Bulb, Halogen High Beam, 6 Bulb, Halogen Low Beam, 7 Igniter, Xenon, 8 Bulb, Xenon, 9 Bulb, Signal.

Table listing lamp components: 10 Bracket, Mounting, 11 Nut, Spring.

COMBINATION LAMP 2000-02

Table listing lamp components: Aim Lamps, R&I Combination Lamp Assy.

NOTE: R&R Does Not Include Aim Lamps.

Table listing lamp components: 1 Lamp Assy, Combination Halogen, Halogen/Xenon, 2 Cap, High Beam Protective, 3 Cap, Low Beam Protective, 4 Socket, Bulb, 5 Bulb, Halogen High Beam, 6 Bulb, Halogen Low Beam, 7 Igniter, Xenon, 8 Bulb, Xenon, 9 Bulb, Signal, 10 Bracket, Mounting, 11 Nut, Spring.

HEADLAMP WASHER

Table listing washer components: 1 Cap, Washer Nozzle, 2 Cylinder, Pressure, 3 Tee, Hose, 4 Connector, Hose, 5 Pump, Washer, 6 Reservoir, Washer, 7 Cap, Reservoir, 8 Filter, Reservoir, 9 Hose, Washer.

PARK/SIGNAL/SIDE MARKER LAMP

Table listing lamp components: R&I Park/Signal/Side Marker Lamp.

Table listing lamp components: 1 Lamp, Park/Signal/Side Marker Right, Left, 2 Socket, Bulb, 3 Bulb.

FOG LAMP A4

Table listing lamp components: R&I Fog Lamp Assy.

Table listing lamp components: 1 Lamp, Fog, 2 Trim, Fog Lamp, 3 Bulb, Fog Lamp.

FOG LAMP S4

Table listing lamp components: R&I Fog Lamp Assy.

Table listing lamp components: 1 Lamp, Fog, 2 Bulb, Fog Lamp.

SIDE REPEATER LAMP

Table listing lamp components: R&I Side Fender Lens.

Table listing lamp components: 1 Lens, Side, 2 Socket, 3 Bulb.

HOOD

Table listing hood components: Refinish Hood Outside, Add for Underside, Refinish Hinge, R&I Hood Assy.

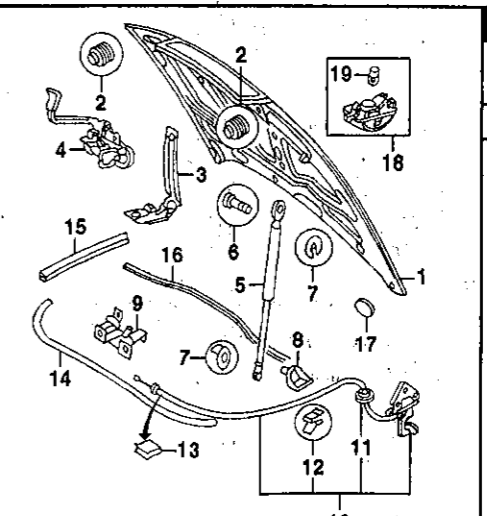


Table listing hood components: 1 Panel, Hood, 2 Bumper, Hood (2/Side), 3 Hinge, Hood, 4 Catch, Safety, 5 Strut, Support, 6 Pin, Upper Strut, 7 Clamp, Lock, 8 Mount, Support Strut, 9 Latch, Lower, 10 Cable Assy, Release, 11 Grommet, Cable, 12 Clamp, Cable, 13 Clamp, Front Cable, 14 Seal, Front Hood, 15 Seal, Side Hood, 16 Seal, Rear Hood, 17 Plug, Hood, 18 Lamp Assy, Underhood, 19 Bulb.

HOOD

Table listing hood components: 1 Lens, Side, 2 Socket, 3 Bulb.

COOLING

Use Procedure Explanations 5 and 28 with the following text.

1.8L ENG

Table listing cooling components: 1 Radiator, 2 Bushing, Upper Mount, 3 Bolt, Upper Mount, 4 Bushing, Lower Mount, 5 Switch, Thermo (3 Pin), 6 Housing, Switch, 7 Cap, Switch, 8 Baffle, Side Air, 9 Seal, Side, 10 Blade, Fan, 11 Coupling, Fan, 12 Pulley, Fan, 13 Reservoir, Coolant, 14 Cap Assy, Reservoir, 15 Seal, Cap, 17 Hose, Upper Rad, 18 Hose, Lower Rad, 19 Ring, Hose Protector, 20 Pipe, Coolant Feed.

COOLING Cont'd

1.8L ENG Cont'd

Table listing parts for 1.8L engine cooling system including hoses, pumps, fans, and resistors with part numbers and prices.

Table listing parts for 2.8L engine cooling system including mounts, seals, covers, and fans with part numbers and prices.

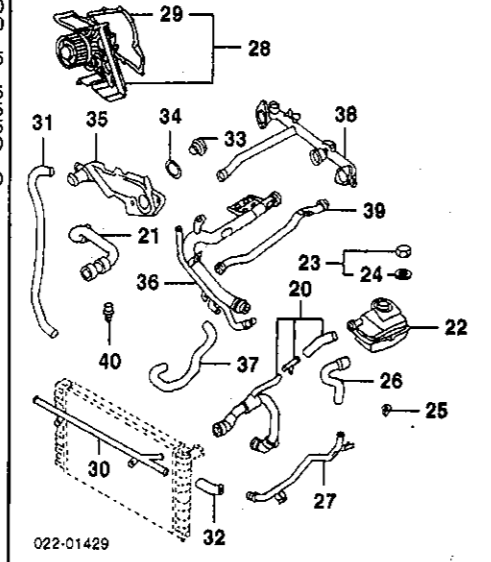


Table listing parts for 2.7L engine cooling system including pumps, hoses, and gaskets with part numbers and prices.

Table listing parts for 2.7L engine cooling system including hoses, gaskets, and pumps with part numbers and prices.

Table listing parts for 2.7L engine cooling system including radiators with part numbers and prices.

2.8L ENG

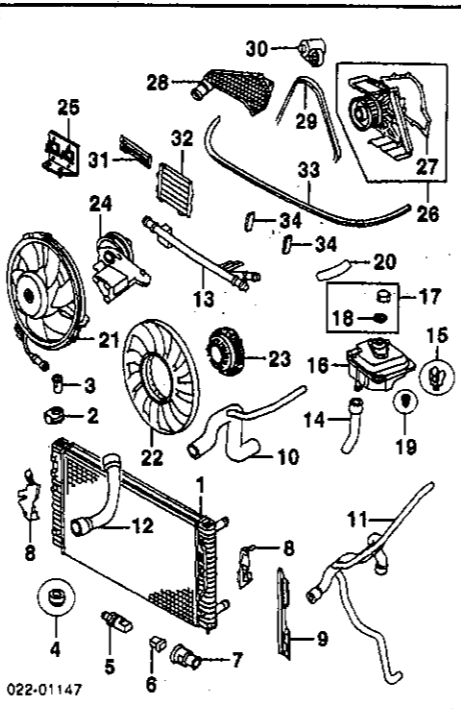


Table listing parts for 2.8L engine cooling system including radiators with part numbers and prices.

Table listing parts for 2.8L engine cooling system including hoses, seals, and gaskets with part numbers and prices.

Table listing parts for 2.8L engine cooling system including hoses, seals, and gaskets with part numbers and prices.

Table listing parts for 2.8L engine cooling system including hoses, seals, and gaskets with part numbers and prices.

Table listing parts for 2.8L engine cooling system including hoses, seals, and gaskets with part numbers and prices.

Table listing parts for 2.8L engine cooling system including hoses, seals, and gaskets with part numbers and prices.

Table listing parts for 2.8L engine cooling system including hoses, seals, and gaskets with part numbers and prices.

Table listing parts for AWD-Quattro 1996 including VINs and prices.

Table listing parts for AWD-Quattro 1996 including VINs and prices.

Table listing parts for AWD-Quattro 1996 including VINs and prices.

Table listing parts for AWD-Quattro 1996 including VINs and prices.

Table listing parts for AWD-Quattro 1996 including VINs and prices.

Table listing parts for AWD-Quattro 1996 including VINs and prices.

Table listing parts for AWD-Quattro 1996 including VINs and prices.

Table listing parts for AWD-Quattro 1996 including VINs and prices.

Table listing parts for AWD-Quattro 1996 including VINs and prices.

Table listing parts for AWD-Quattro 1996 including VINs and prices.

Table listing parts for AWD-Quattro 1996 including VINs and prices.

Table listing parts for AWD-Quattro 1996 including VINs and prices.

Table listing parts for #w/Brkt, Condenser Mtg and Bumper, Rubber.

Table listing parts for #w/Brkt, Condenser Mtg and Bumper, Rubber.

Table listing parts for #w/Brkt, Condenser Mtg and Bumper, Rubber.

Table listing parts for #w/Brkt, Condenser Mtg and Bumper, Rubber.

Table listing parts for #w/Brkt, Condenser Mtg and Bumper, Rubber.

Table listing parts for #w/Brkt, Condenser Mtg and Bumper, Rubber.

Table listing parts for #w/Brkt, Condenser Mtg and Bumper, Rubber.

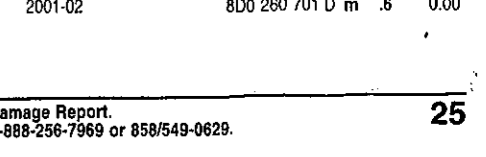
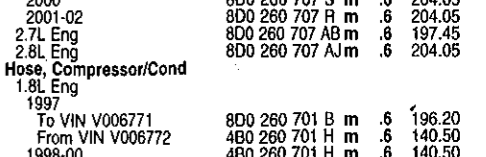
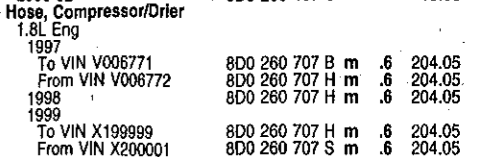
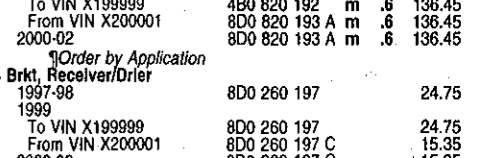
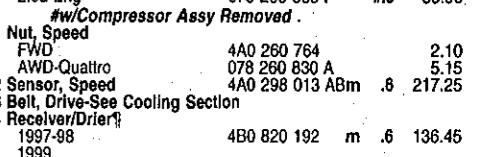
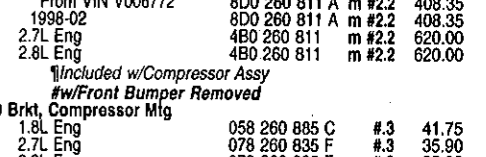
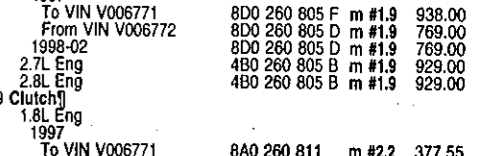
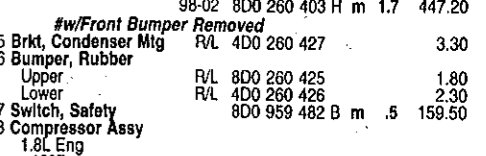
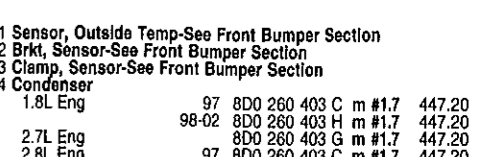
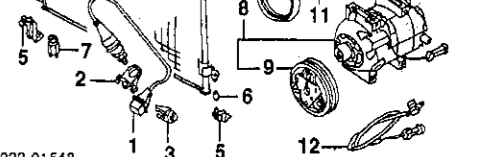
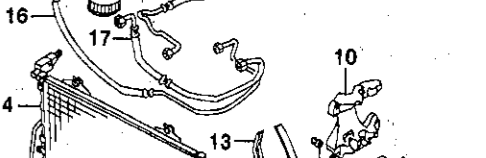
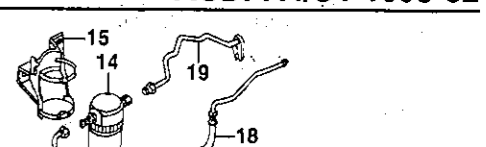
Table listing parts for #w/Brkt, Condenser Mtg and Bumper, Rubber.

Table listing parts for #w/Brkt, Condenser Mtg and Bumper, Rubber.

Table listing parts for #w/Brkt, Condenser Mtg and Bumper, Rubber.

Table listing parts for #w/Brkt, Condenser Mtg and Bumper, Rubber.

Table listing parts for #w/Brkt, Condenser Mtg and Bumper, Rubber.



A/C/HEATER/VENTILATION Cont'd

Table listing A/C/Heater/Ventilation parts and prices. Includes items like 1997-02 Cont'd, 18 Hose, Cond/Evaporator, 19 Pipe, Drier/Evaporator, 20 Housing, Heat/A/C, 21 Filter, Air, 22 Channel, Rain-See Cowl & Dash Section, 23 Lug, Filter (2), 24 Frame, Filter, 25 Gasket, Intake, 26 Core, Evaporator Core, Heater, 27 Fan, Blower, 28 Control, Blower, 29 Vent, Footwell, 30 Pipe, Water Drain, 31 Valve, Drain, 32 Restrictor, 33 Grommet, 34 Duct, 35 Motor, Recirculation, 36 Sensor, Temp, 37 Motor, Temp, 38 Motor, Footwell, 39 Motor, Defrost, 40 Sensor, Temp.

Table listing A/C/Heater/Ventilation parts: 41 Control, A/C Heater-See Center Console Section, 42 Sensor, Temp, 43 Hose, 44 Fan, 45 Brkt, Fan.

FRONT FENDER

Use Procedure Explanations 7 and 28 with the following text.

Table listing Front Fender repair procedures and prices: Refinish Fender Outside, Add to Edge Fender, Refinish Upper Fender Moulding, Refinish Lower Fender Moulding, R&I Fender Assy.

NOTE: Audi advises that side moulding is not re-usable.

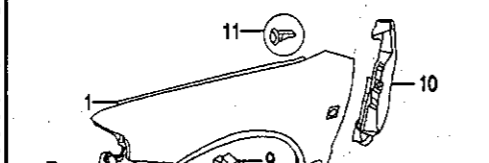


Table listing Front Fender parts and prices: 1 Fender, 1996, 1997, 1998, 1999, To VIN X199999, From VIN X200001, 2000-02.

Table listing Front Fender parts and prices: 2 Midg, Upper Fender (P) (Adhesive), 1997-98, 1999, To VIN X199999, From VIN X200001, 2000-02.

Table listing Front Fender parts and prices: 3 Midg, Lower Fender, 1996-97, To 7-96, From 8-96, 1998, 1999, To VIN X199999, From VIN X200001, 2000-02.

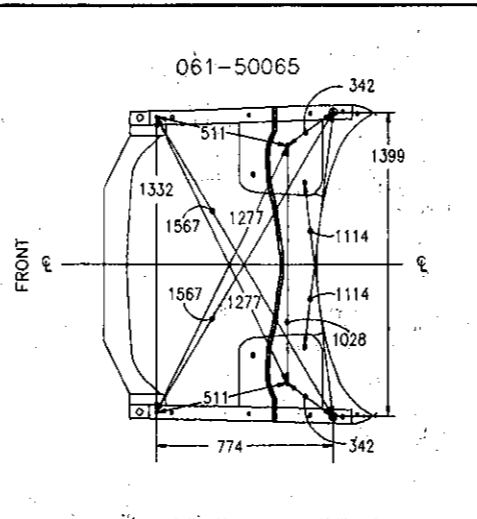
Table listing Front Fender parts and prices: 4 Emblem, Audi, 5 Clip, Emblem, 6 Brkt, Front Fender, 1996-97, 1998, To VIN W175627, From VIN W175628, 1999, To VIN X199999, From VIN X200001, 2000-02.

Table listing Front Fender parts and prices: 7 Liner, Fender, 1996-98, 1999, To VIN X199999, From VIN X200001, 2000-02.

Table listing Underhood Dimensions for 1996-01: 2000-01, S4, 8 Nut, Speed, 9 Seal, Fender Liner, 10 Plate, End, 11 Nut, Expanding (2/Side).

UNDERHOOD DIMENSIONS

1996-01



2002

Information not available at time of publication.

FRONT INNER STRUCTURE

Use Procedure Explanations 8 and 28 with the following text.

Table listing Front Inner Structure parts and prices: Add to R&R Front Support, To R&R Base Model Mechanical Components, #1.0, Includes R&R/A/C Condenser & Disconnect & Connect A/C Lines, To Aim Lamps, Evacuate & Recharge System, Refrigerant Recovery.

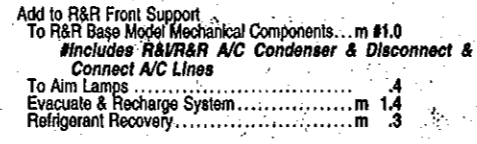


Table listing Front Inner Structure parts and prices: 1 Support, Front, A4, 4 Cyl, V6, S4, 8D0 805 594 AN, 8D0 805 594 AR, 8D0 805 594 AJ.

Table listing Front Inner Structure parts and prices: 2 Crossmember, Front, V6, A4, S4, 8D0 805 851 F, 8D0 805 851 G.

Table listing Front Inner Structure parts and prices: 3 Tube, Engine Cross, 4 Cyl, 8D0 199 521 BA.

Table listing Side parts and prices: 4 Crossmember, Strut Mount, 1996-98, 1999, To VIN X199999, From VIN X200001, 2000-02.

SIDE

Table listing Side parts and prices: Refinish Apron Assy, Refinish Side Front Rail.

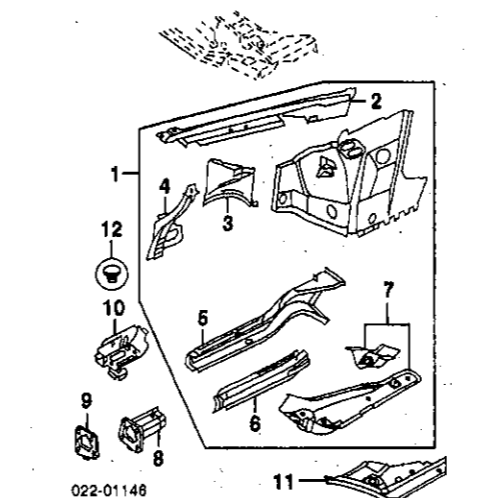


Table listing Side parts and prices: 1 Apron Assy, 2 Plate, Filler, 3 Panel, Mounting, 4 Support, Front, 5 Rail, Front Side, 6 Plate, Rail Cover.

Table listing Side parts and prices: 7 Rail, Rear Side, 8 Rail, Extension, 9 Mount, Impact Absorber, 10 Reinf, Rail, 1996-98, 1999, To VIN X199999, From VIN X200001, 2000-02.

Table listing Side parts and prices: 11 Plate, Mounting, 12 Plug, Side Rail.

SUB-FRAME

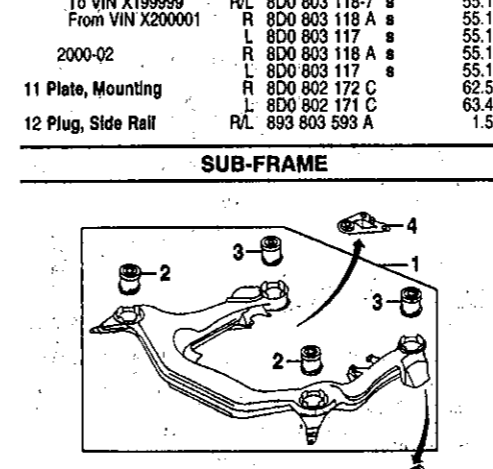


Table listing Sub-Frame parts and prices: 1 Sub-Frame Assy, 1.8L Eng, Man Trans, Auto Trans, 2.7L Eng, 2.8L Eng.

Table listing Sub-Frame parts and prices: 2 Mount, Front Rubber, 3 Mount, Rear Rubber, 4 Support, Rear.

ELECTRICAL COMPONENTS

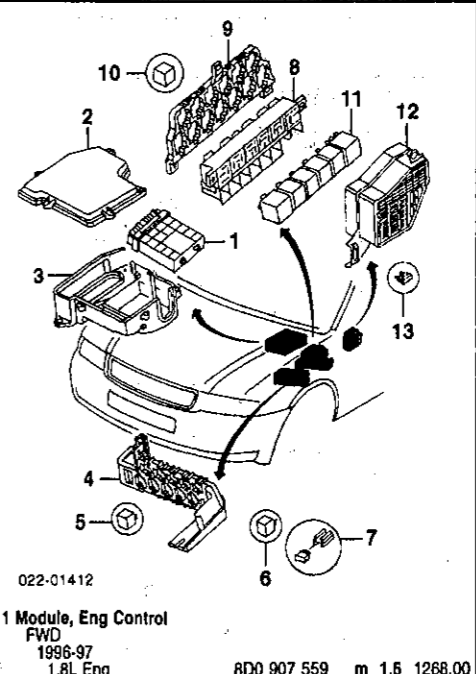


Table listing Electrical Components parts and prices: 1 Control Unit, Air Bag, 1998, 1999, To VIN X199999, From VIN X200001, 2000-02.

Table listing Electrical Components parts and prices: 2 Cover, Control Module, 1997-99, 1998-99, 2000-02.

Table listing Electrical Components parts and prices: 3 Housing, Module, 1997-99, 1998-99, 2000-02.

Table listing Electrical Components parts and prices: 4 Plate, Relay (8 Point), 5 Control, Window Module, 6 Relay, Lambda Probe, 7 Holder, Fuse, 80 Amp.

Table listing Electrical Components parts and prices: 8 Box, Fuse/Relay, 9 Bracket, Fuse Box, 10 Module, Electronic Clutch Module, Lamp/Brake Warning Relay, Selector Lever, Relay, Fog Lamp, Relay, Driving Lamp, 11 Relay, Fuel Pump.

Table listing Electrical Components parts and prices: 12 Holder, Fuse, 13 Fuse.

Table listing Electrical Components parts and prices: 2000-02, Note 1: R&R Does Not include disable and enable or diagnose Air Bag System, Note 2: Refer to Procedure Explanation 30 for Supplemental Restraint/Air Bag System Component Inspection and Replacement Information.

NOTE 3: For Air Bag System Service procedures, refer to Manufacturer's Service Repair Manual or Mitchell's Air Bag Service and Repair Manual.

FRONT

Disable & Enable Air Bag System, Diagnose Air Bag System (If Required), Includes Disconnect & Connect Scan Tool & Retrieve/Clear Trouble Codes.

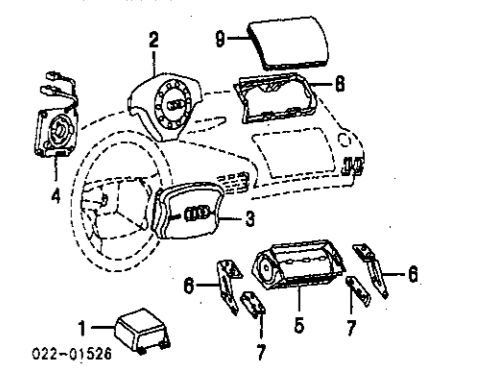


Table listing Front parts and prices: 1 Control Unit, Air Bag, 1998, 1999, To VIN X199999, From VIN X200001, 2000-02.

Table listing Front parts and prices: 2 Module, Driver Air Bag, 1996-97, 1998, To VIN W007799, From VIN W007800, 1999-02, 2.7L Eng.

Table listing Front parts and prices: 3 w/Sport Steering Wheel, 1996-97, 1998, To VIN W007799, From VIN W007800, 1999-02, w/Tiptronic, w/Tiptronic.

Table listing Front parts and prices: 4 w/Sport Steering Wheel, 1996-97, 1998-99, 2000-02.

Table listing Front parts and prices: 5 Module, Pass Air Bag, 1996-97, 1998, To VIN W035547, From VIN W035548, 1999-02.

Table listing Front parts and prices: 6 Plate, Module Support, R, L, 8D0 880 304 C, 8D0 880 303 m, 8D0 880 303 m.

Table listing Front parts and prices: 7 Brkt, Support, 8 Frame, Cover Retaining, 9 Cover, Air Bag, 1996-99, Anthracite Gray, Lava Gray.

AIR BAG SYSTEM Cont'd

SIDE SEDAN

Disable & Enable Air Bag System m .3
Diagnose Air Bag System (If Required) m #.5
#Includes Disconnect & Connect Scan Tool & Retrieve/Clear Trouble Codes

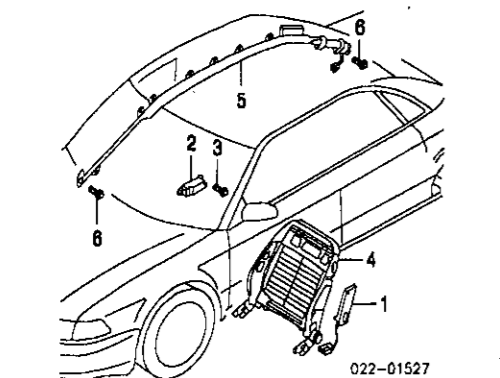


Table listing air bag parts for Sedan, including Module, Sensor, Bolt, and Pad with part numbers and prices.

#w/Headliner Removed
#As Required

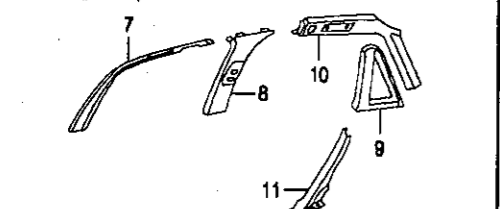


Table listing Midg, Inside Garnish parts for Sedan with part numbers and prices.

Table listing Panel, Ctr Pillar Upper Trim parts for Sedan with part numbers and prices.

Table listing Panel, Upper Trim parts for Sedan with part numbers and prices.

Table listing Back Pillar parts for Sedan with part numbers and prices.

Table listing Back Pillar parts for Sedan with part numbers and prices.

Table listing Back Pillar parts for Sedan with part numbers and prices.

SIDE WAGON

Disable & Enable Air Bag System m .3
Diagnose Air Bag System (If Required) m #.5
#Includes Disconnect & Connect Scan Tool & Retrieve/Clear Trouble Codes

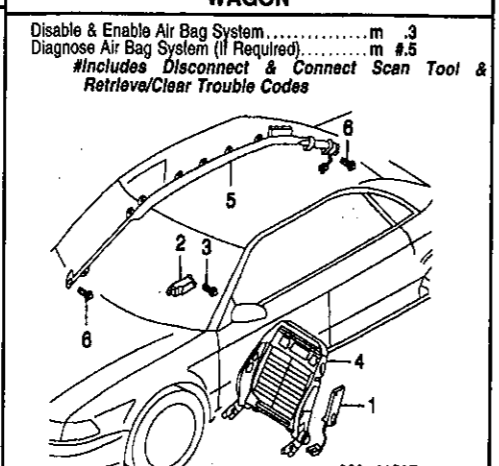


Table listing air bag parts for Wagon, including Module, Sensor, Bolt, and Pad with part numbers and prices.

#w/Headliner Removed
#As Required

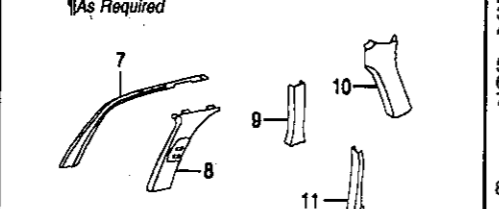


Table listing Midg, Inside Garnish parts for Wagon with part numbers and prices.

Table listing Panel, Ctr Pillar Upper Trim parts for Wagon with part numbers and prices.

Table listing Panel, Upper Trim parts for Wagon with part numbers and prices.

Table listing Back Pillar parts for Wagon with part numbers and prices.

Table listing Back Pillar parts for Wagon with part numbers and prices.

Table listing Back Pillar parts for Wagon with part numbers and prices.

ABS/BRAKES
Bleed System m .4
NOTE: R&R Does Not Include bleed system.

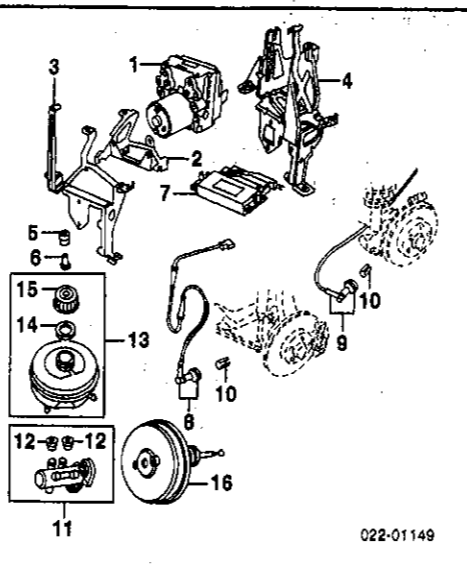


Table listing Pump, ABS parts with part numbers and prices.

#As Required

Table listing Brkt, ABS Pump Lower parts with part numbers and prices.

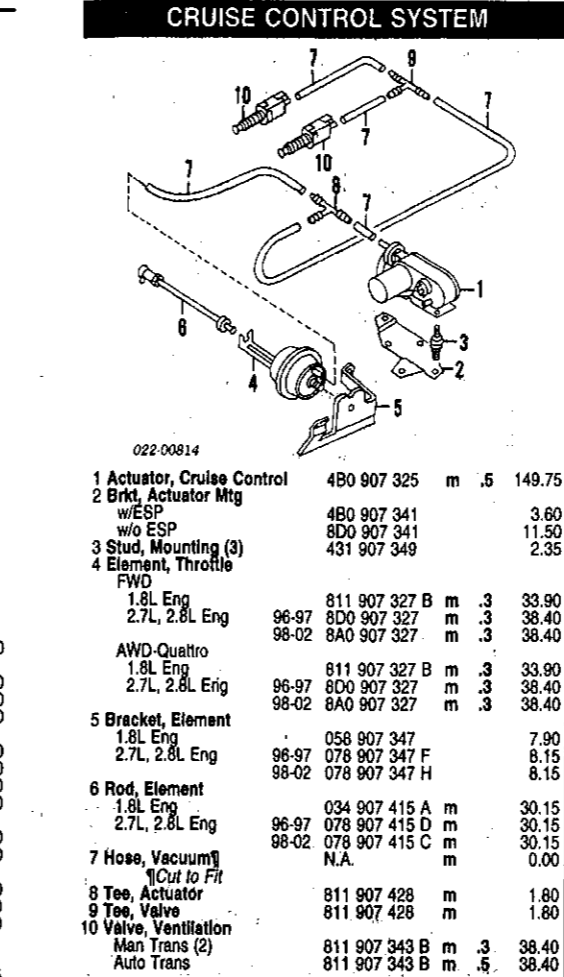
Table listing Sensor, Front ABS parts with part numbers and prices.

Table listing Sensor, Rear ABS parts with part numbers and prices.

Table listing Sleeve, Clamping (2/Side) parts with part numbers and prices.

Table listing Reservoir Assy parts with part numbers and prices.

Washer, Sealing
Cap, Reservoir
#Included w/Reservoir Assy



CRUISE CONTROL SYSTEM

Table listing Cruise Control parts with part numbers and prices.

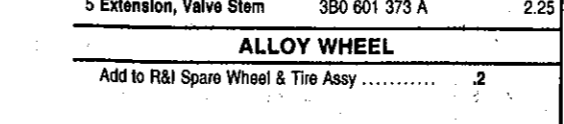
WHEEL

Use Procedure Explanation 10 with the following text.

Table listing Steel Wheel parts with part numbers and prices.

STEEL WHEEL

Refinish Wheel
Add to R&I Spare Wheel & Tire Assy



ALLOY WHEEL

Add to R&I Spare Wheel & Tire Assy

Table listing Alloy Wheel parts with part numbers and prices.

Illustration Located in Next Column

Table listing Wheel, Alloy parts with part numbers and prices.

Procedure Explanation Pages Must Be Used with the Above Text for an Accurate Damage Report.

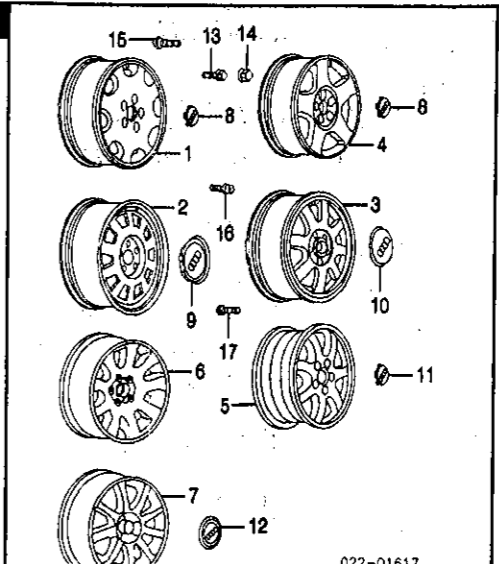


Table listing Spare Wheel & Hardware parts with part numbers and prices.

SPARE WHEEL & HARDWARE



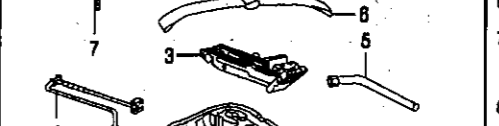
WHEEL

Use Procedure Explanation 10 with the following text.

Table listing Wheel, Spare parts with part numbers and prices.

STEEL WHEEL

Refinish Wheel
Add to R&I Spare Wheel & Tire Assy



ALLOY WHEEL

Add to R&I Spare Wheel & Tire Assy

Table listing Wheel, Alloy parts with part numbers and prices.

Illustration Located in Next Column

Table listing Wheel, Alloy parts with part numbers and prices.

FRONT SUSPENSION

Use Procedure Explanation 11 with the following text.

Table listing Front Suspension parts with part numbers and prices.

Procedure Explanation Pages Must Be Used with the Above Text for an Accurate Damage Report.

NOTE 1: R&R/R or O/H Does Not Include alignment or bleed brake system.

NOTE 2: Refer to Special Cautions Section at the beginning of this vehicle text.

NOTE 3: All Parts in this section are included in overhaul unless noted otherwise.

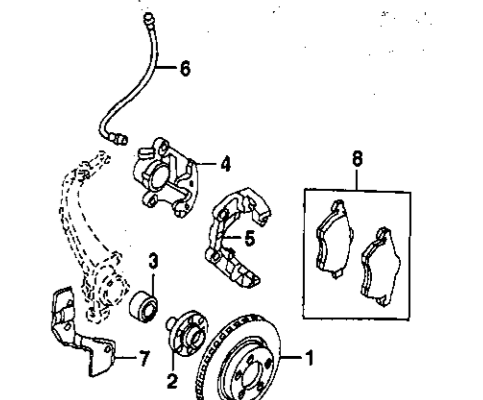
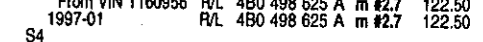


Table listing Front Suspension parts with part numbers and prices.

SPARE WHEEL & HARDWARE



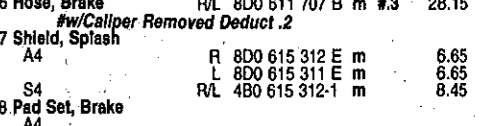
WHEEL

Use Procedure Explanation 10 with the following text.

Table listing Wheel, Spare parts with part numbers and prices.

STEEL WHEEL

Refinish Wheel
Add to R&I Spare Wheel & Tire Assy



ALLOY WHEEL

Add to R&I Spare Wheel & Tire Assy

Table listing Wheel, Alloy parts with part numbers and prices.

Illustration Located in Next Column

Table listing Wheel, Alloy parts with part numbers and prices.

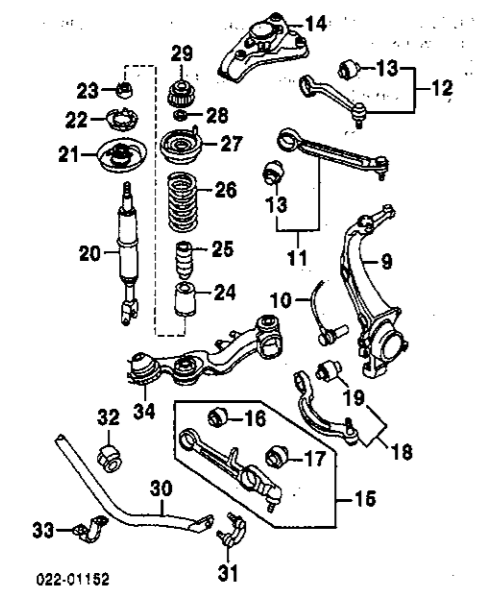
FRONT SUSPENSION

Use Procedure Explanation 11 with the following text.

Table listing Front Suspension parts with part numbers and prices.

Procedure Explanation Pages Must Be Used with the Above Text for an Accurate Damage Report.

FRONT SUSPENSION Cont'd



022-01152

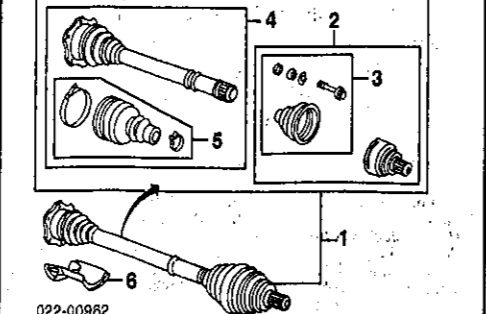
Table listing front suspension parts such as 1.8L Eng Standard Susp, 2.8L Eng Standard Susp, and 21 Seat, Spring Lower with their respective part numbers and prices.

Table listing front drive axle parts including 27 Seat, Spring Upper, 28 Washer, and 29 Mount, Upper.

Table listing front drive axle parts including 30 Bar, Stabilizer, 31 Link, Stabilizer, and 32 Bushing, Bar.

FRONT DRIVE AXLE

Table listing front drive axle parts including R&L Axle Shaft Assy and O/H Axle Shaft Assy.



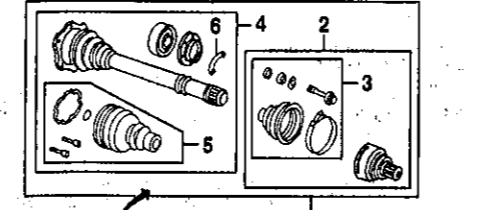
022-00982

Table listing front drive axle parts including 1 Shaft Assy, Axle, 2 Shaft Assy w/Join, Outer, and 3 Boot Kit, Outer.

Table listing front steering linkage/gear parts including 4 Joint Assy, CV Inner, 5 Boot Kit, Inner, and 6 Shield, Shaft.

FRONT STEERING LINKAGE/GEAR

Table listing front steering linkage/gear parts including R&L Axle Shaft Assy and O/H Axle Shaft Assy.



022-00963

Table listing front steering linkage/gear parts including 1 Shaft Assy, Axle, 2.7L Eng, and 2.8L Eng.

Table listing front steering linkage/gear parts including 2 Shaft Assy w/Join, Outer, 3 Boot Kit, Outer, and 4 Joint Assy, CV Inner.

Table listing front steering linkage/gear parts including 5 Boot Kit, Inner, 6 Plate, Attach, and 7 Shield, Shaft.

FRONT STEERING LINKAGE/GEAR

Table listing front steering linkage/gear parts including R&L Steering Gear and O/H Steering Gear.

Table listing front steering linkage/gear parts including 1 Gear Assy, Steering, 2 Boot, Tie Rod, and 3 Clamp, Outer.

FRONT STEERING LINKAGE/GEAR

Table listing front steering linkage/gear parts including 4 Clamp, Inner, 5 Ring, Seal, and 6 Boot, Damper.

FRONT STEERING LINKAGE/GEAR

Table listing front steering linkage/gear parts including 7 Shield, Shaft, 8 Washer, and 9 Bracket.

FRONT STEERING LINKAGE/GEAR

Table listing front steering linkage/gear parts including 10 Tie Rod Assy, 11 End, Tie Rod, and 12 Damper, Steering.

FRONT STEERING LINKAGE/GEAR

Table listing front steering linkage/gear parts including 13 Absorber, Sound, 14 Bushing, and 15 Boot, Gear.

FRONT STEERING LINKAGE/GEAR

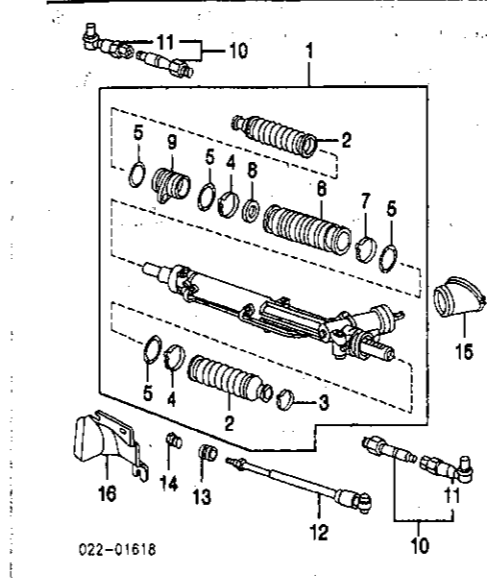
Table listing front steering linkage/gear parts including 16 Shield, 17 Bushing, Control Arm, and 18 Arm Assy, Front Lwr Cont.

FRONT STEERING LINKAGE/GEAR

Table listing front steering linkage/gear parts including 19 Bushing, Control Arm, 20 Absorber, Shock, and 21 Seat, Spring Lower.

FRONT STEERING LINKAGE/GEAR

Table listing front steering linkage/gear parts including 22 Packing, Lower, 23 Cap, Protective, and 24 Boot, Dust.



022-01618

Table listing steering pump parts including 7 Clamp, Boot, 8 Washer, and 9 Bracket.

STEERING PUMP

Table listing steering pump parts including 10 Tie Rod Assy, 11 End, Tie Rod, and 12 Damper, Steering.

STEERING PUMP

Table listing steering pump parts including 13 Absorber, Sound, 14 Bushing, and 15 Boot, Gear.

STEERING PUMP

Table listing steering pump parts including 16 Shield, 17 Bushing, Control Arm, and 18 Arm Assy, Front Lwr Cont.

STEERING PUMP

Table listing steering pump parts including 19 Bushing, Control Arm, 20 Absorber, Shock, and 21 Seat, Spring Lower.

STEERING PUMP

Table listing steering pump parts including 22 Packing, Lower, 23 Cap, Protective, and 24 Boot, Dust.

STEERING PUMP

Table listing steering pump parts including 25 Bumper, Spring, 26 Spring, Coil, and 27 Seat, Spring Upper.

STEERING PUMP

Table listing steering pump parts including 28 Washer, 29 Mount, Upper, and 30 Bar, Stabilizer.

STEERING PUMP

Table listing steering pump parts including 31 Link, Stabilizer, 32 Bushing, Bar, and 33 Brkt, Upper.

STEERING PUMP

Table listing steering pump parts including 34 Sub-Frame-See Front Inner Structure Section.

STEERING PUMP

Table listing steering pump parts including 35 Hose, Pressure, 36 Hose, Suction, and 37 Hose, Pipe/Reservoir Return.

STEERING PUMP

Table listing steering pump parts including 38 Hose, Pipe/Gear Return, 39 Grommet, Mount, and 40 Pipe, Cooler.

STEERING PUMP

Table listing steering pump parts including 41 Hose, Pipe/Reservoir Return, 42 Hose, Pipe/Gear Return, and 43 Reservoir Assy, Pump.

2 Pulley, Pump

Table listing pulley parts including 1.8L Eng Outer and 2.7L Eng.

AWD-Quattro

Table listing AWD-Quattro parts including 1.8L Eng Outer and 2.7L Eng.

AWD-Quattro

Table listing AWD-Quattro parts including 1.8L Eng Outer and 2.7L Eng.

AWD-Quattro

Table listing AWD-Quattro parts including 1.8L Eng Outer and 2.7L Eng.

AWD-Quattro

Table listing AWD-Quattro parts including 1.8L Eng Outer and 2.7L Eng.

AWD-Quattro

Table listing AWD-Quattro parts including 1.8L Eng Outer and 2.7L Eng.

AWD-Quattro

Table listing AWD-Quattro parts including 1.8L Eng Outer and 2.7L Eng.

AWD-Quattro

Table listing AWD-Quattro parts including 1.8L Eng Outer and 2.7L Eng.

AWD-Quattro

Table listing AWD-Quattro parts including 1.8L Eng Outer and 2.7L Eng.

AWD-Quattro

Table listing AWD-Quattro parts including 1.8L Eng Outer and 2.7L Eng.

AWD-Quattro

Table listing AWD-Quattro parts including 1.8L Eng Outer and 2.7L Eng.

AWD-Quattro

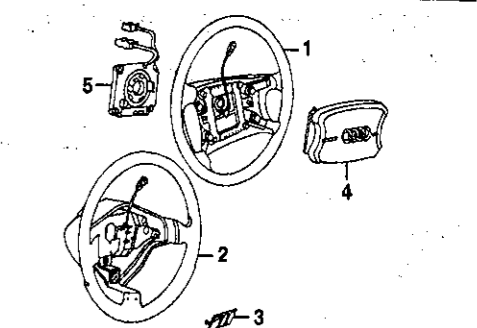
Table listing AWD-Quattro parts including 1.8L Eng Outer and 2.7L Eng.

AWD-Quattro

Table listing AWD-Quattro parts including 1.8L Eng Outer and 2.7L Eng.

AWD-Quattro

Table listing AWD-Quattro parts including 1.8L Eng Outer and 2.7L Eng.



022-00909

Table listing steering wheel parts including 1 Standard Wheel and 2 Sport Wheel.

Wheel, Steering

Table listing steering wheel parts including 3 Brkt, Pump Mtg and 4 Hose, Pressure.

Wheel, Steering

Table listing steering wheel parts including 5 Hose, Suction, 6 Cover, Lock Hsg Upper, and 7 Cover, Lock Hsg Lower.

Wheel, Steering

Table listing steering wheel parts including 8 Switch, Combination Wipe/Wash and 9 Grommet, Mount.

Wheel, Steering

Table listing steering wheel parts including 10 Pipe, Cooler, 11 Hose, Pipe/Reservoir Return, and 12 Hose, Pipe/Gear Return.

Wheel, Steering

Table listing steering wheel parts including 13 Reservoir Assy, Pump, 14 Cap, Reservoir, and 15 Grommet, Mount.

Wheel, Steering

Table listing steering wheel parts including 16 Pipe, Cooler, 17 Hose, Pipe/Reservoir Return, and 18 Hose, Pipe/Gear Return.

Wheel, Steering

Table listing steering wheel parts including 19 Reservoir Assy, Pump, 20 Cap, Reservoir, and 21 Grommet, Mount.

Wheel, Steering

Table listing steering wheel parts including 22 Pipe, Cooler, 23 Hose, Pipe/Reservoir Return, and 24 Hose, Pipe/Gear Return.

Wheel, Steering

Table listing steering wheel parts including 25 Reservoir Assy, Pump, 26 Cap, Reservoir, and 27 Grommet, Mount.

Wheel, Steering

Table listing steering wheel parts including 28 Pipe, Cooler, 29 Hose, Pipe/Reservoir Return, and 30 Hose, Pipe/Gear Return.

Wheel, Steering

Table listing steering wheel parts including 31 Reservoir Assy, Pump, 32 Cap, Reservoir, and 33 Grommet, Mount.

STEERING WHEEL/COLUMN Cont'd

Table listing steering wheel and column parts including part numbers, descriptions, and prices.

ENGINE/TRANS

Use Procedure Explanation 12 with the following text.

1.8L ENG

R&I Engine/Trans Assy.....m 7.2

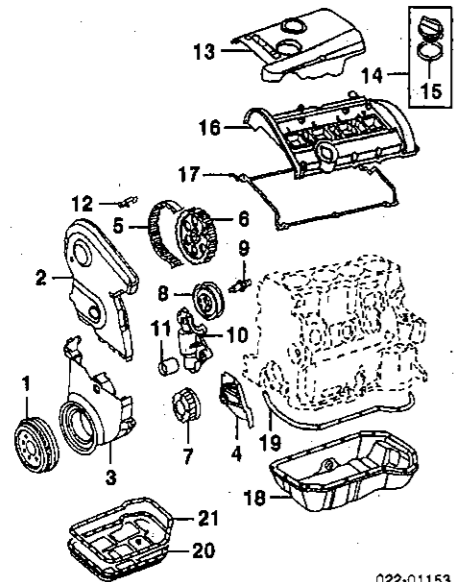


Table listing parts for the 1.8L engine/trans assembly, including damper, covers, belts, and pulleys.

Table listing parts for the 2.7L engine/trans assembly, including cap assembly, seal, cover, gasket, and pan.

2.7L ENG

R&I Engine/Trans Assy.....m 14.8

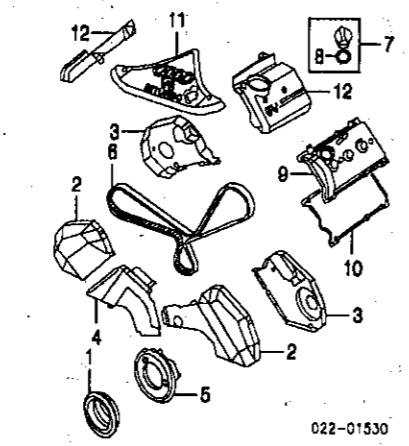


Table listing parts for the 2.7L engine/trans assembly, including damper, covers, belts, and cap assembly.

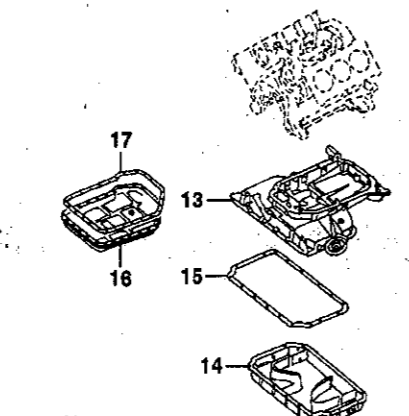


Table listing parts for the 2.7L engine/trans assembly, including pan, upper and lower engine oil pan.

Table listing parts for the 2.8L engine/trans assembly, including pan, lower engine oil sealant, and gasket.

2.8L ENG 1996-97 (TO 4-97)

R&I Engine/Trans Assy.....m 8.3

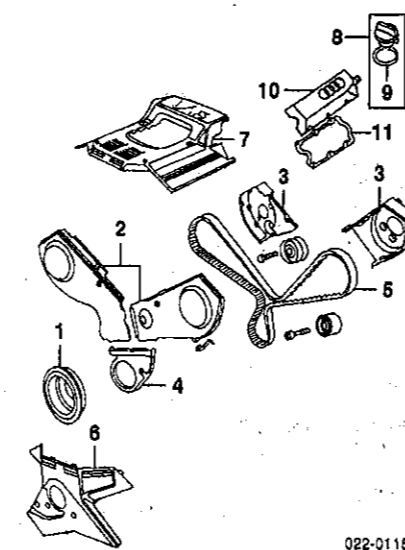


Table listing parts for the 2.8L engine/trans assembly (1996-97), including damper, covers, belts, and cap assembly.

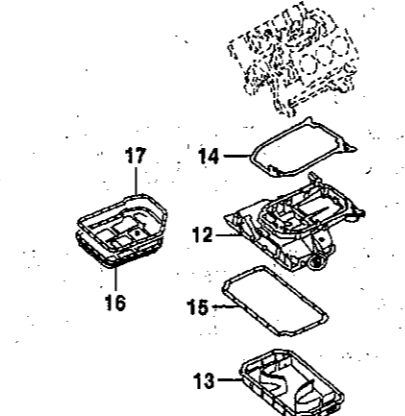


Table listing parts for the 2.8L engine/trans assembly (1996-97), including pan, upper and lower engine oil pan.

Table listing parts for the 2.8L engine/trans assembly (1997-01), including pan, lower engine oil sealant, and gasket.

2.8L ENG 1997-01 (FROM 4-97)

R&I Engine/Trans Assy.....m 8.3

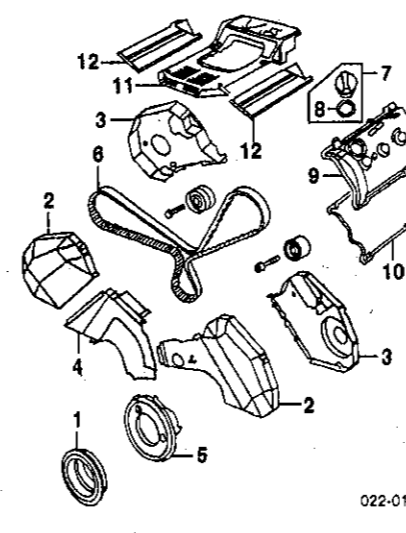


Table listing parts for the 2.8L engine/trans assembly (1997-01), including damper, covers, belts, and cap assembly.

Table listing parts for the 2.8L engine/trans assembly (1997-01), including pan, upper and lower engine oil pan.

ENGINE/TRANS MOUNTS

1.8L ENG

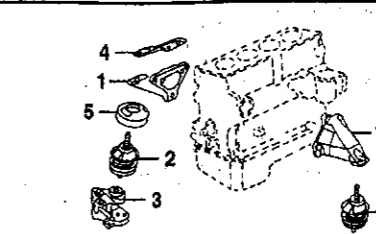


Table listing parts for the 1.8L engine/trans mounts, including brackets, mounts, and supports.

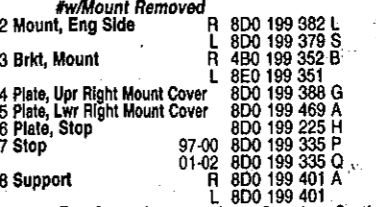


Table listing parts for the 1.8L engine/trans mounts, including brackets, mounts, and supports.

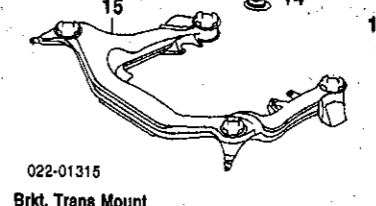


Table listing parts for the 1.8L engine/trans mounts, including brackets, mounts, and supports.

Table listing parts for the 2001-02 engine/trans mounts, including shield, mount, and bracket.

2.7L, 2.8L ENG

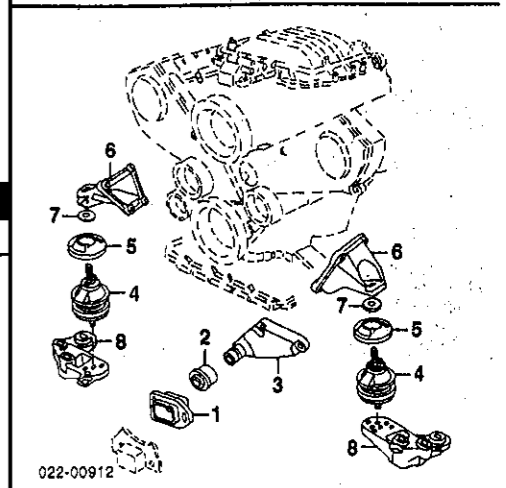


Table listing parts for the 2.7L/2.8L engine/trans mounts, including stop, support, and cap.

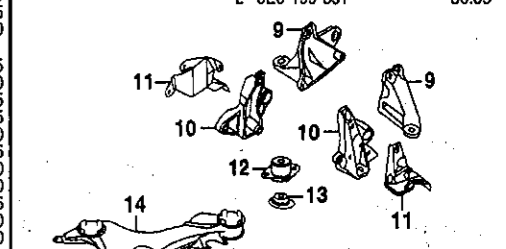


Table listing parts for the 2.7L/2.8L engine/trans mounts, including bracket, trans mount, and pulley.

Table listing parts for the 2.7L/2.8L engine/trans mounts, including shield, mount, and bracket.

WINDSHIELD Cont'd

Table listing windshield parts for various Audi models including w/o Telephone, Ecru Beige, Titan Gray, and 1998-99 Right/Left options.

WIPER SYSTEM

Table listing wiper system components such as 1 Blade Assy, Wiper, Reservoir, and Pump/Washer parts.

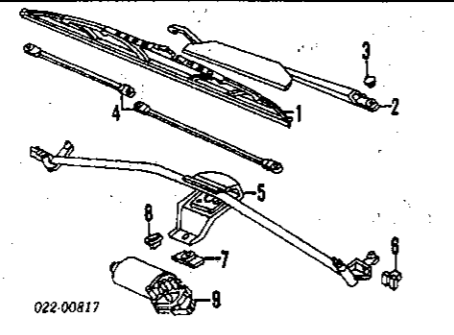


Table listing wiper arm and blade parts for various years and models, including 2 Arm, Wiper and 5 Base, Wiper.

Table listing wiper base and motor parts, including 3 Cap, Arm and 4 Rod, Pivot.

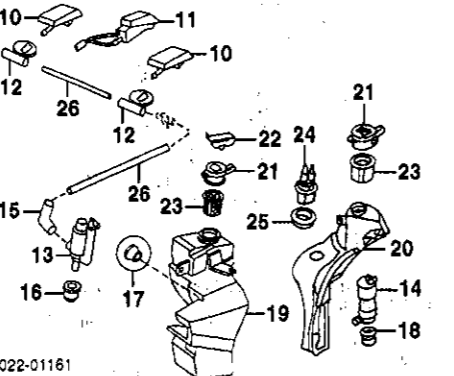


Table listing nozzle and washer parts, including 10 Nozzle, Washer and 11 Heated parts.

Table listing grommet and nozzle parts, including 12 Grommet, Nozzle and 13 1996-97 parts.

Table listing pump and washer parts, including 13 1996-97 parts and 14 1998-02 parts.

Table listing cap, reservoir, clip, retaining, strainer, fluid, sensor, level, seal, and hose/washer parts.

COWL & DASH

Use Procedure Explanations 14 and 28 with the following text.

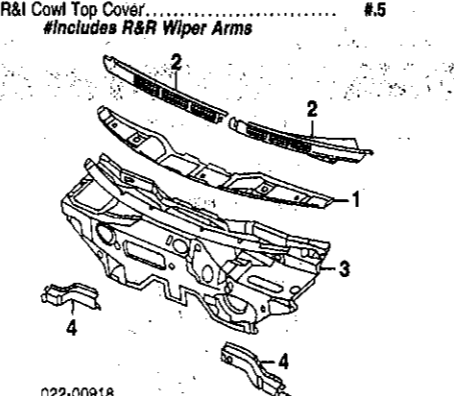


Table listing cowl top cover, deflector, water, vent, air, vent, door air, vent, side air, panel, dash, and crossmember parts.

INSTRUMENT PANEL

Use Procedure Explanation 14 with the following text.

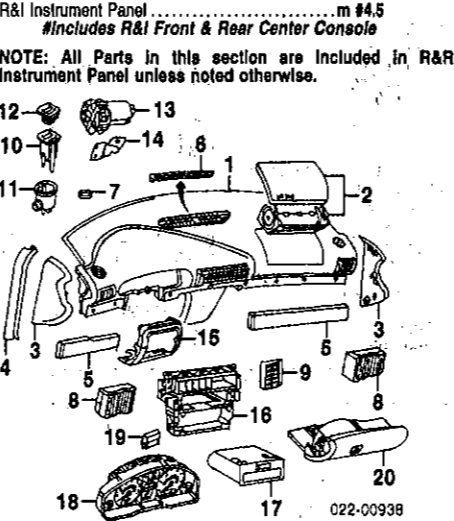


Table listing instrument panel parts for various years and models, including 1 Panel, Instrument and 2 Module, Pass Air Bag.

Table listing cap and end parts, including 3 Cap, End and 4 Hose, Washer.

Table listing glove box parts for various years and models, including 21 Glove Box and 30 Duct, Front Air.

Table listing gasket and end cap parts, including 4 Gskt, End Cap.

Table listing molding and trim parts for various years and models, including 5 Moulding, Trim.

Table listing vent and air parts, including 6 Vent, Air and 7 Vent, Door Air.

Table listing sensor, sun, cover, sun sensor, fan, brkt, fan, cover, strg column, and brkt, center parts.

Table listing box, storage, cluster, instrument, w/on board computer, w/o on board computer, w/on-board computer, w/o on-board computer, w/on-board computer, and w/o on-board computer parts.

Table listing indicator, gear/temp parts, including 19 Indicator, Gear/Temp.

Table listing glove box parts for various years and models, including 21 Glove Box and 30 Duct, Front Air.

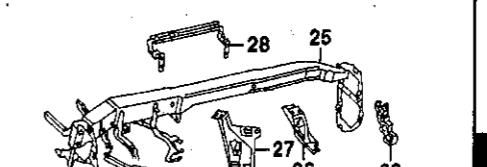


Table listing pad, knee bar parts for various years and models, including 21 Pad, Knee Bar.

Table listing panel, lower parts for various years and models, including 22 Panel, Lower.

Table listing console, front parts for various years and models, including 1 Console, Front.

Table listing brkt, knee bar parts for various years and models, including 23 Brkt, Knee Bar.

Table listing brkt, outer and crossmember parts, including 24 Brkt, Outer and 25 Crossmember.

Table listing support, center and support, outer parts, including 26 Support, Center and 27 Support, Outer.

Table listing duct, front air parts for various years and models, including 30 Duct, Front Air.

CENTER CONSOLE

Use Procedure Explanation 14 with the following text.

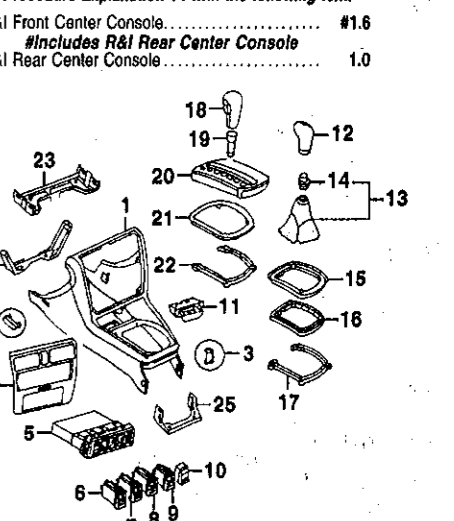


Table listing console, front parts for various years and models, including 1 Console, Front.

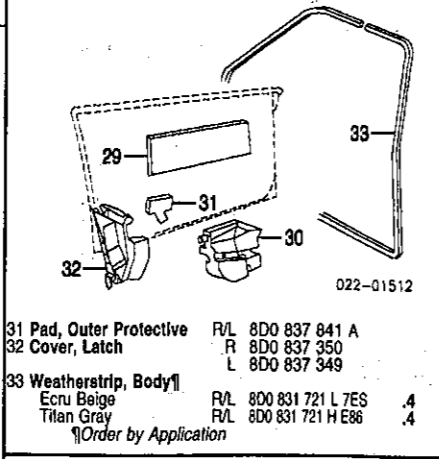
Table listing cover, front side parts for various years and models, including 2 Cover, Front Side.

Table listing plate, center trim parts for various years and models, including 4 Plate, Center Trim.

FRONT DOOR Cont'd

HARDWARE 1996-98 Cont'd

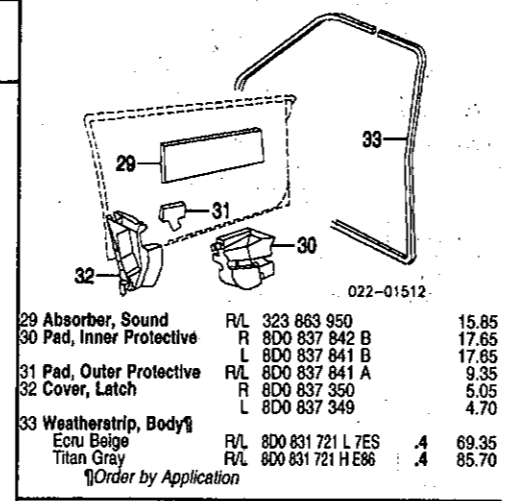
Table listing hardware parts for 1996-98 front door, including actuators, rods, knobs, clips, handles, and carriers with part numbers and prices.



HARDWARE 1999 TO VIN X199999

Table listing hardware parts for 1999 front door (VIN X199999), including refinishing materials, hinges, and latches.

Table listing hardware parts for 1999 front door (VIN X200001), including plates, retainers, and weatherstrips.



HARDWARE 1999 FROM VIN X200001

Table listing hardware parts for 1999 front door (VIN X200001), including actuators, rods, knobs, and carriers.

Table listing hardware parts for 1996-98 rear door, including rods, guides, knobs, clips, and handles.

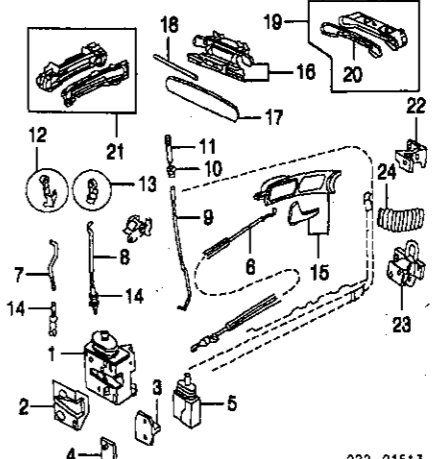


Table listing hardware parts for 1999 rear door (VIN X199999), including knobs, clips, and handles.

Table listing hardware parts for 1999 rear door (VIN X200001), including absorbers, pads, and weatherstrips.

HARDWARE 2000-02

Table listing hardware parts for 2000-02 rear door, including actuators, rods, knobs, and carriers.

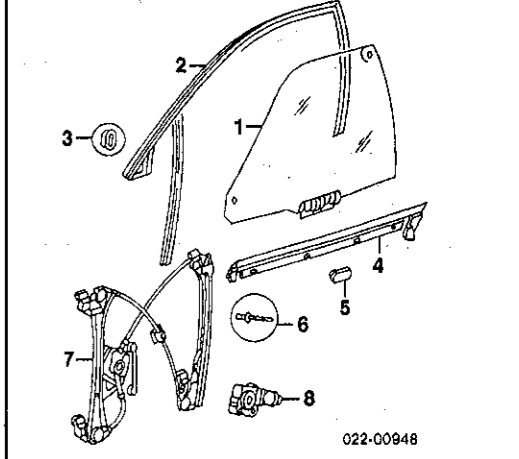


Table listing hardware parts for 1999 rear door (VIN X199999), including channels, retainers, and clips.

REAR DOOR SHEET METAL

Table listing sheet metal parts for rear door, including door shell, inner panel, and auxiliary seals.

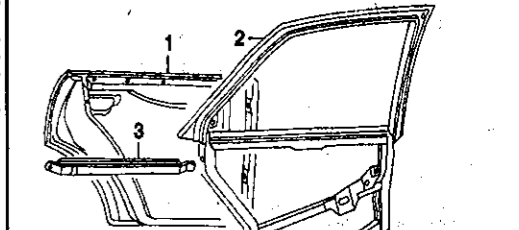


Table listing sheet metal parts for 2000-02 rear door, including shell, inner panel, and auxiliary seals.

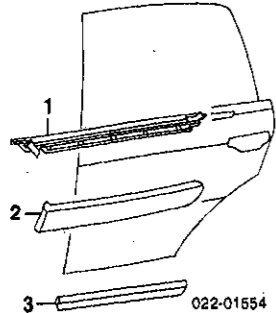
GLASS & PARTS

Table listing glass and parts for rear door, including front door glass and inner panel assembly.

REAR DOOR Cont'd SHEET METAL Cont'd From VIN X200001 R 8D9 839 754 B 03C 3.5 295.45

EXTERIOR TRIM Refinish Upr Rear Door Mldg R/L .5 Refinish Lwr Rear Door Mldg R/L .6

NOTE: Audi advises that side moulding is not re-usable.



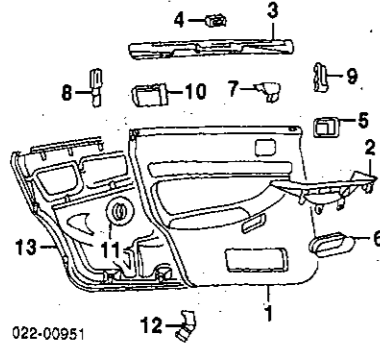
022-01554

1 Mldg, Belt 1996-98 R 8D0 853 764 ZZZ #.3 76.75 L 8D0 853 763 ZZZ #.3 76.75

3 Mldg, Lwr Rear Door A4 R 8D0 853 970 B 01C .4 26.00 S4 (P) R 8D0 853 969 A GRU .4 103.35

INTERIOR TRIM R&I Trim Panel R/L .6

NOTE: All Parts in this section are included in R&I Trim Panel unless noted otherwise.



022-00951

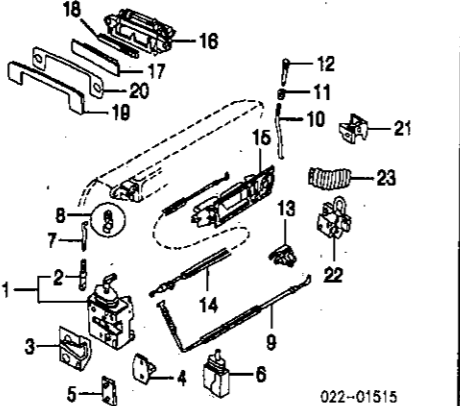
1 Panel, Trim 1996 R 8D0 867 304 DUP .7 338.50 L 8D0 867 303 DUP .7 338.50

1998-02 Cloth (a) R 8D0 867 304 G 4SG .7 293.65 L 8D0 867 303 G 4SG .7 293.65

HARDWARE 1996-99 (TO VIN X199999)

Refinish Outside Handle R/L .4 Refinish Lower Trim Plate R/L .2 Refinish Upper Trim Plate R/L .2

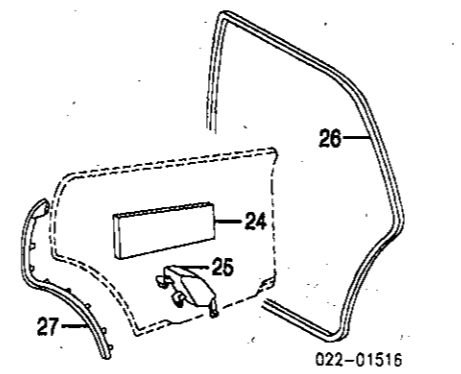
#Includes R&I Trim Panel & Inner Panel



022-01515

1 Latch Assy 1996 To VIN V160000 R 8D0 839 016 D #.3 97.80 L 8D0 839 015 D #.3 95.25

#R&I One Side Complete 6 Actuator, Power Lock-Serviced w/Door Latch R/L 8D0 839 133 3.90



022-01516

24 Absorber, Sound R/L 323 863 950 15.85 25 Pad, Protective R 8D0 839 842 14.75 L 8D0 839 841 14.35

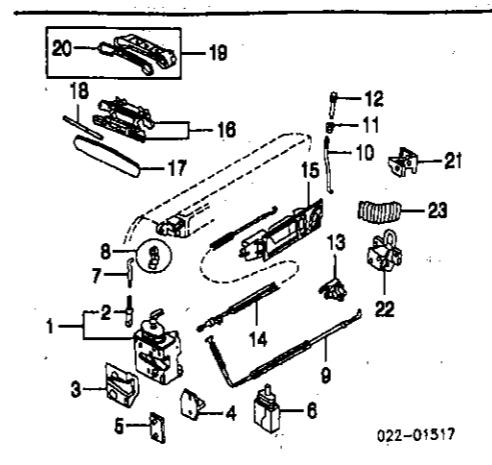
HARDWARE 1999-02 (FROM VIN X200001)

Refinish Outside Handle R/L .4 Refinish Handle Plate R/L .2 Refinish Upper Hinge R/L .2

#Includes R&I Trim Panel & Inner Panel

Illustration Located in Next Column

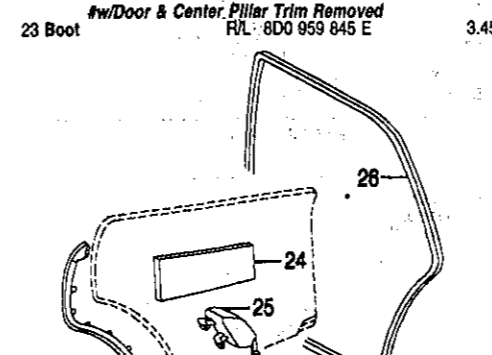
1 Latch Assy R 8D0 839 016 A #.3 97.75 L 8D0 839 015 A #.3 97.75



022-01517

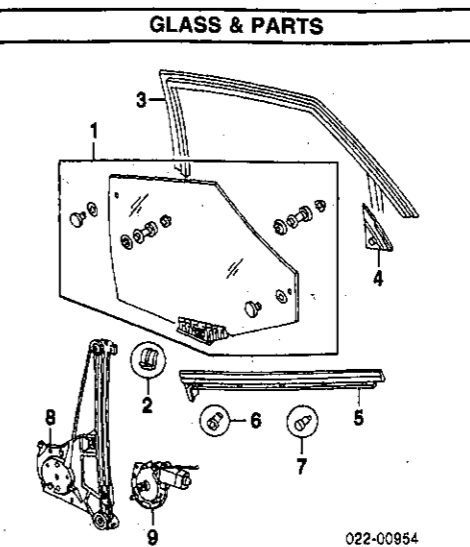
3 Packing, Dust R/L 4A0 837 088-7 3.75 4 Striker R/L 4A0 837 035 C #.2 7.20

17 Plate, Handle (P) R/L 4B0 837 109 B .92 19 Cover Assy, Handle R 4B2 837 886 A 26.65 L 4B1 837 885 A 26.65



022-01516

24 Absorber, Sound R/L 323 863 950 15.85 25 Pad, Protective R 8D0 839 842 14.75 L 8D0 839 841 14.35



022-00954

1 Glass, Rear Door Sedan Audi-Green Tinted R/L 8D5 845 206-5 #1.8 53.10 NAGS-Green R/L FD05592-1G1T #1.8 354.95

4 Plate, Inner Trim Sedan 1996-98 R 8D5 853 274 C 01C 13.50 L 8D5 853 273 C 01C 13.50

ROOF

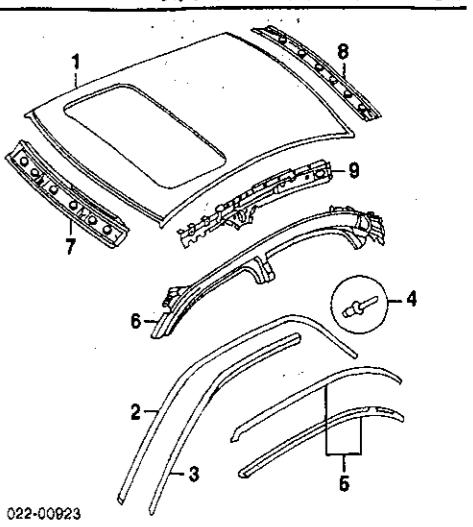
Use Procedure Explanations 17 and 28 with the following text.

SHEET METAL SEDAN

Refinish Roof Outside R/L 3.0 Refinish Roof Drip Channel R/L .5 Refinish Outer Side Roof Rail R/L 1.7

Illustration Located in Next Column

1 Panel, Roof w/Sunroof R 8D9 817 017 A #22.0 658.00 w/o Sunroof R 8D9 817 111 #20.5 501.00



022-00923

2 Moulding, Roof A4 Chrome R 8D5 853 704 B 2ZZ #.8 108.30 L 8D5 853 703 B 2ZZ #.8 105.45

SHEET METAL WAGON

Refinish Roof Outside R/L 3.2 Refinish Roof Drip Channel R/L .5 Refinish Outer Side Roof Rail R/L 1.7

Illustration Located in Next Column

1 Panel, Roof w/Sunroof R 8D9 817 017 A #22.0 658.00 w/o Sunroof R 8D9 817 021 B #20.5 470.65

2 Moulding, Roof Chrome R 8D9 853 704 B 2ZZ #.8 87.90 L 8D9 853 703 B 2ZZ #.8 87.90

3 Strip, Cover Black R 8D9 853 710 A 01C 10.15 L 8D9 853 709 A 01C 10.15

ROOF Cont'd

SHEET METAL WAGON Cont'd

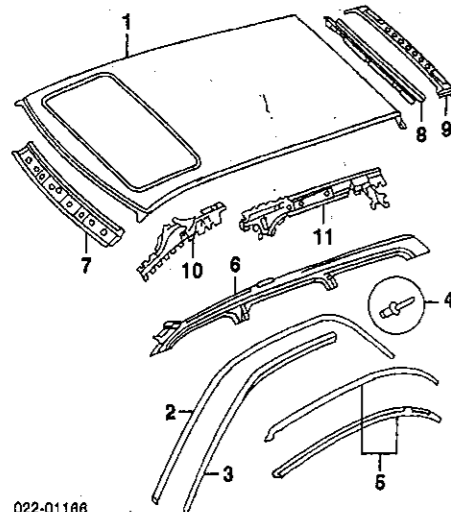


Table listing parts for roof rail and inner side rail, including part numbers and prices.

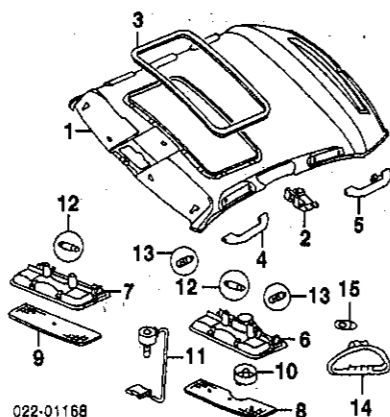


Table listing parts for headliner and sunroof components for sedan.

Table listing parts for headliner and sunroof components for wagon.

Table listing interior trim parts for sedan, including door panels and headliner.

Table listing interior trim parts for wagon.

INTERIOR TRIM WAGON

Table listing interior trim parts for wagon.

Table listing R&I headliner parts.

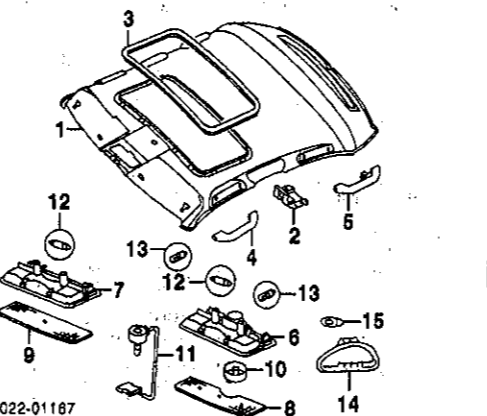


Table listing interior trim parts for wagon.

Table listing headliner and sunroof parts for sedan.

Table listing sunroof parts.

Table listing rear grab handle parts.

Table listing sunroof parts for wagon.

SUNROOF

Table listing sunroof parts.

NOTE: All Parts in this section are included in overhaul unless noted otherwise.

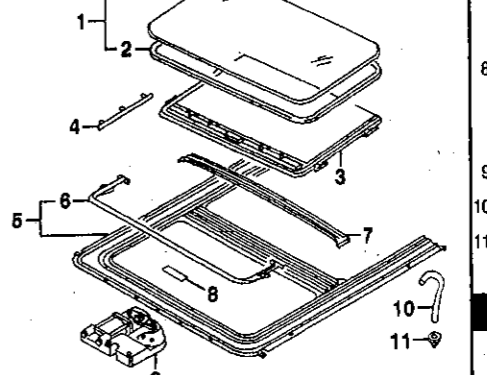


Table listing sunroof parts for wagon.

Table listing back window parts.

BACK WINDOW

Use Procedure Explanation 19 with the following text.

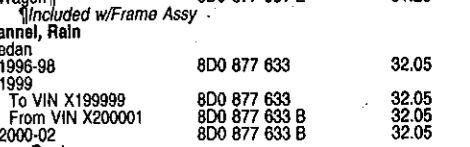


Table listing back window parts.

BACK WINDOW Cont'd

Table with 4 columns: Part Name, Part Number, Quantity, Price. Includes items like Spacer, Lower; Midg, Upper Reveal; Midg, Side Reveal; Strip, Clamping; Insert, Moulding (Satin Black); Rivet, Strip (3/Side).

QUARTER PANEL

Use Procedure Explanations 20 and 28 with the following text.

SHEET METAL SEDAN

Table with 4 columns: Part Name, Part Number, Quantity, Price. Includes items like Refinish Quarter Outside; Add to Edge Panel; Add for Pillar; Refinish Fuel Door; R&R Both Quarter Panels; R&R Roof & Both Quarter Panels; R&R Rear Body Panel & Both Quarter Panels; R&R Roof, Both Quarters & Rear Body Panel; Add to R&R Quarter Panel; To R&I Quarter Glass; To R&I Back Glass.

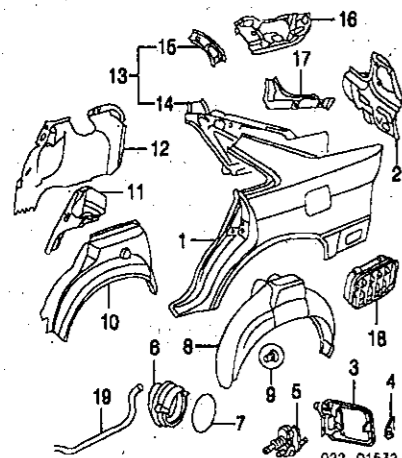


Table with 4 columns: Part Name, Part Number, Quantity, Price. Includes items like Panel, Outer Quarter; Panel, Lamp Mount; Door, Fuel Filler; Cap, Protective; Actuator, Power Lock; Boot, Fuel Filler; Ring; Liner, Wheelhouse; Nut, Retainer (3/Side); Wheelhouse, Outer; Bracket, Wheel Housing; Wheelhouse, Inner; Nut, Retainer (3/Side); Wheelhouse, Outer; Bkt, Panel Upper; Wheelhouse, Inner.

Table with 4 columns: Part Name, Part Number, Quantity, Price. Includes items like Panel Assy, Inner Side; Panel, Side Inner; Plate, Rip; Plate, Connecting; Reinf, Rear Upper; Vent, Pressure Release; Hose, Vent.

SHEET METAL WAGON

Table with 4 columns: Part Name, Part Number, Quantity, Price. Includes Refinish Fuel Door.

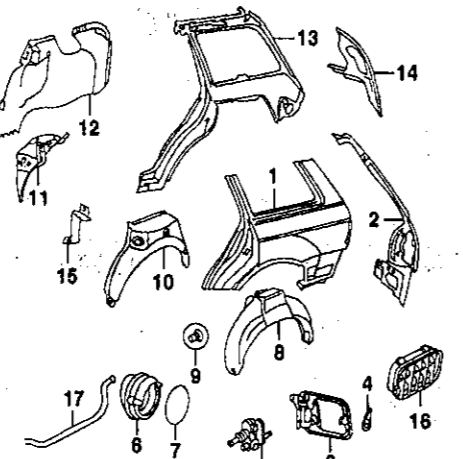


Table with 4 columns: Part Name, Part Number, Quantity, Price. Includes items like Panel, Outer Quarter; Panel, Lamp Mount; Door, Fuel Filler; Cap, Protective; Actuator, Power Lock; Boot, Fuel Filler; Ring; Liner, Wheelhouse; Nut, Retainer (3/Side); Wheelhouse, Outer; Bracket, Wheel Housing; Wheelhouse, Inner; Nut, Retainer (3/Side); Wheelhouse, Outer; Bracket, Wheel Housing; Wheelhouse, Inner; Nut, Retainer (3/Side); Wheelhouse, Outer; Bracket, Wheel Housing; Wheelhouse, Inner.

Table with 4 columns: Part Name, Part Number, Quantity, Price. Includes AWD-Quattro; Vent, Pressure Release; Hose, Vent.

INTERIOR TRIM

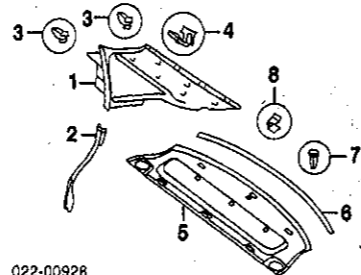


Table with 4 columns: Part Name, Part Number, Quantity, Price. Includes items like Panel, Upper Trim; Quarter Window; Dark Elephant; Dark Pearl; Ecru Beige; Pearl Gray; Wagon Quarter Pillar; Dark Elephant; Dark Pearl; Ecru Beige; Panel, Lower Trim; Anthracite Gray; Basalt; Clay; Lava Gray; Maritime Blue; Mussel; Onyx; Slate; Terra Brown.

Table with 4 columns: Part Name, Part Number, Quantity, Price. Includes items like Panel, Upper Trim; Quarter Window; Dark Elephant; Dark Pearl; Ecru Beige; Pearl Gray; Wagon Quarter Pillar; Dark Elephant; Dark Pearl; Ecru Beige; Panel, Lower Trim; Anthracite Gray; Basalt; Clay; Lava Gray; Maritime Blue; Mussel; Onyx; Slate; Terra Brown; Clip, Trim; Clamp (5/Side); Tray, Package Shelf; Lining, Air Duct; Clip, Package Tray; Clamp (3); Speaker, Radio; Grille, Speaker; Amplifier, Antenna.

QUARTER GLASS

Table with 4 columns: Part Name, Part Number, Quantity, Price. Includes R&I Quarter Glass.

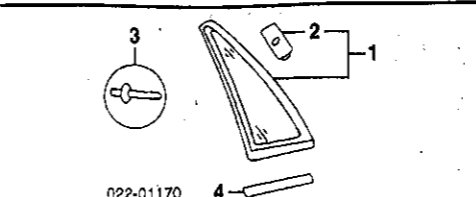


Table with 4 columns: Part Name, Part Number, Quantity, Price. Includes items like Glass Assy, Quarter; Clamp, Qtr Glass; Rivet (2/Side); Midg, Qtr Belt.

WAGON

Table with 4 columns: Part Name, Part Number, Quantity, Price. Includes items like R&I Quarter Glass; Glass Assy, Quarter; Clamp, Qtr Glass; Rivet (3/Side); Midg, Qtr Belt.

LUGGAGE LID

Use Procedure Explanations 24 and 28 with the following text.

SHEET METAL/EXTERIOR TRIM

Table with 4 columns: Part Name, Part Number, Quantity, Price. Includes Refinish Luggage Lid Outside; Add for Underside; Refinish Grip Moulding; Refinish Hinge; R&I Luggage Lid.

Table with 4 columns: Part Name, Part Number, Quantity, Price. Includes items like Lid, Luggage; Lid, Luggage; Lid, Luggage; Lid, Luggage.

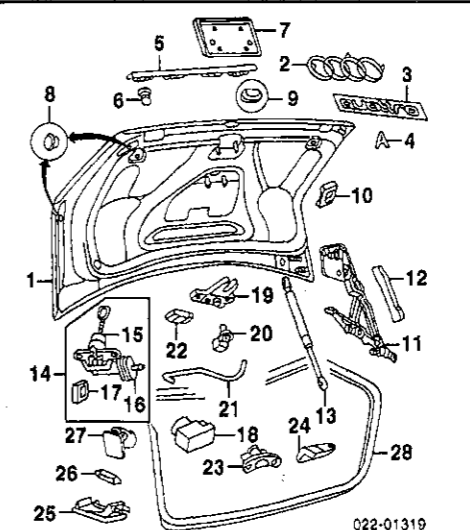


Table with 4 columns: Part Name, Part Number, Quantity, Price. Includes items like Glass Assy, Quarter; Clamp, Qtr Glass; Rivet (2/Side); Midg, Qtr Belt.

LIFTGATE

Table with 4 columns: Part Name, Part Number, Quantity, Price. Includes items like Panel, Lid Trim; Nut, Midg; Trim, License Plate; Bkt, License Lamp Insert; Plug, Side; Plug, Center; Stop, Lid; Hinge, Lid; Guide, Hinge; Strut, Support; Cylinder & Key Assy; Cylinder, Lock; Actuator, Power Lock; Switch, Micro; Pump/Control Module; Latch; Bushing, Rod; Rod, Lock Cyl; Switch, Anti-Theft Micro; Striker; Stop, Lid Adjusting; Lamp, Compartment; Bulb, Lamp; Switch, Lamp; Weatherstrip.

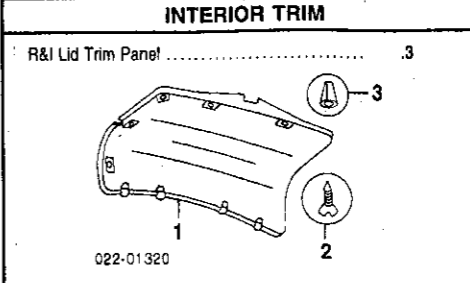


Table with 4 columns: Part Name, Part Number, Quantity, Price. Includes items like Panel, Lid Trim; Nut, Midg; Trim, License Plate; Bkt, License Lamp Insert; Plug, Side; Plug, Center; Stop, Lid; Hinge, Lid; Guide, Hinge; Strut, Support; Cylinder & Key Assy; Cylinder, Lock; Actuator, Power Lock; Switch, Micro; Pump/Control Module; Latch; Bushing, Rod; Rod, Lock Cyl; Switch, Anti-Theft Micro; Striker; Stop, Lid Adjusting; Lamp, Compartment; Bulb, Lamp; Switch, Lamp; Weatherstrip.

LIFTGATE

Use Procedure Explanations 25 and 28 with the following text.

SHEET METAL/EXTERIOR TRIM

Table with 4 columns: Part Name, Part Number, Quantity, Price. Includes items like Refinish Liftgate Shell Outside; Add for Underside; Refinish Hinge; Refinish Grip Mldg Assy; R&I Gate Assy; Add to R&I Liftgate; To Transfer Glass; Shell, Liftgate; Nut, Midg; Trim, License Plate; Bkt, License Lamp Insert; Plug, Side; Plug, Center; Stop, Lid; Hinge, Lid; Guide, Hinge; Strut, Support; Cylinder & Key Assy; Cylinder, Lock; Actuator, Power Lock; Switch, Micro; Pump/Control Module; Latch; Bushing, Rod; Rod, Lock Cyl; Switch, Anti-Theft Micro; Striker; Stop, Lid Adjusting; Lamp, Compartment; Bulb, Lamp; Switch, Lamp; Weatherstrip.

LIFTGATE Cont'd

SHEET METAL/EXTERIOR TRIM Cont'd

Table listing liftgate and exterior trim parts including switches, valves, clips, rods, mechanisms, retainers, cylinders, and weatherstrips with part numbers and prices.

INTERIOR TRIM

Table listing interior trim parts including liftgate panels, brackets, rivets, clips, nuts, and subwoofers with part numbers and prices.

GLASS & PARTS

Table listing liftgate glass and parts including tinted/heated glass and NAGS with part numbers and prices.

WIPER SYSTEM

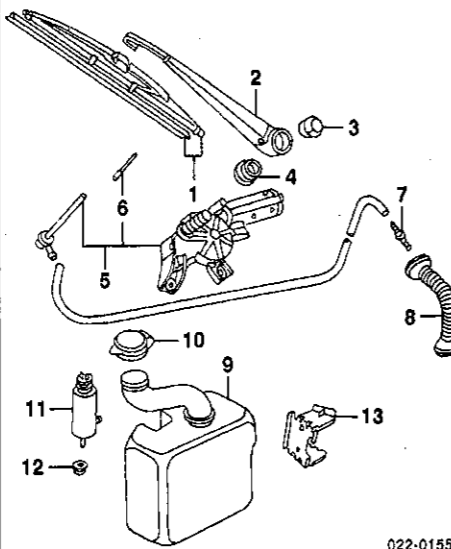


Table listing wiper system parts including blades, arms, caps, gaskets, motor assemblies, and washers with part numbers and prices.

REAR SUSPENSION

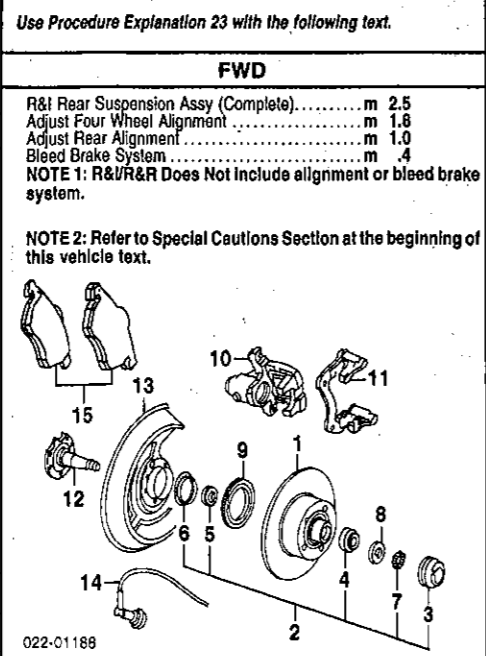


Table listing rear suspension parts including beams, bushings, dampers, vibration absorbers, and various components with part numbers and prices.

Main table listing various suspension and steering parts including rotors, bearings, calipers, carriers, axles, shields, sensors, and pads with part numbers and prices.

Table listing suspension and steering parts for AWD-Quattro models, including suspension assemblies, one side parts, and alignment services with part numbers and prices.

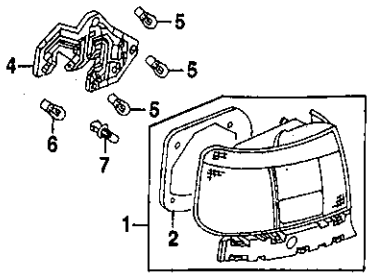
Table listing suspension and steering parts for Rear Drive Axle, including shafts, hubs, rotors, bearings, carriers, callipers, and various components with part numbers and prices.

Table listing suspension and steering parts for Rear Drive Axle, including shafts, hubs, rotors, bearings, carriers, callipers, and various components with part numbers and prices.

REAR LAMPS

COMBINATION LAMP SEDAN

Refinish Lamp Trim R/L .3
R&I Combination Lamp Assy R/L .5



022-00934

1 Lamp Assy, Combination

1996-97	R 8D0 945 112 B	#5	130.95
	L 8D0 945 111 B	#5	136.20
1998	R 8D0 945 111 E	#5	136.20
	L 8D0 945 112 E	#5	136.20
1999	To VIN X199999		
	R 8D0 945 112 E	#5	136.20
	L 8D0 945 111 E	#5	136.20
	From VIN X200001		
	R 8D0 945 096 H	#5	136.20
	L 8D0 945 095 H	#5	136.20
2000-02	R 8D0 945 096 H	#5	136.20
	L 8D0 945 095 H	#5	136.20

2 Gasket, Lamp] R/L 8D0 945 191 #5 4.40
(Included w/Combination Lamp Assy)

3 Trim, Lamp (P) R 8D0 945 102 GRU #5 18.55
L 8D0 945 101 GRU #5 18.55
(P) Paint to Match
#R&R One Side Complete

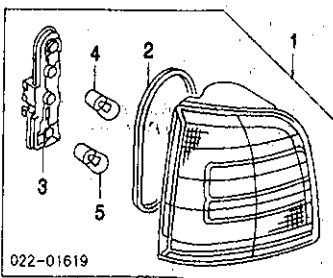
4 Housing, Bulb

1996-98	R 8D0 945 258 A	28.65	
	L 8D0 945 257 A	28.65	
1999	To VIN X199999		
	R 8D0 945 258 A	28.65	
	L 8D0 945 257 A	28.65	
	From VIN X200001		
	R 8D0 945 258 D	28.65	
	L 8D0 945 257 D	28.65	
2000-02	R 8D0 945 258 D	28.65	
	L 8D0 945 257 D	28.65	

5 Bulb, Tail/Fog/Signal R/L N 017 732 2 #2 1.70
6 Bulb, Back-Up R/L N 017 736 2 #2 2.05
7 Bulb, Marker R/L N 017 753 2 #2 1.30
#R&R One Side Complete

COMBINATION LAMP WAGON

R&I Combination Lamp Assy R/L .5



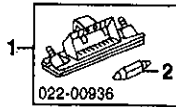
022-01619

1 Lamp Assy, Combination

1996-98	R 8D9 945 112 B	.5	136.20
	L 8D9 945 111 B	.5	136.20
1999	To VIN X199999		
	R 8D9 945 112 B	.5	136.20
	L 8D9 945 111 B	.5	136.20
	From VIN X200001		
	R 8D9 945 096 E	.5	136.20
	L 8D9 945 095 E	.5	136.20
2000-02	R 8D9 945 096 E	.5	136.20
	L 8D9 945 095 E	.5	136.20

2 Gasket, Lamp] R/L 8D9 945 191 #5 8.50
3 Housing, Bulb] R/L 8D9 945 257 28.65
4 Bulb, Tail/Fog/Signal] (a) R/L N 017 732 2 #2 1.70
(a) As Required
5 Bulb, Back-Up] R/L N 017 736 2 #2 2.05
(Included w/Combination Lamp Assy)
#R&R One Side Complete

LICENSE LAMP



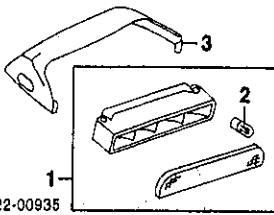
022-00936

1 Lamp Assy, License Sedan

1996-98	R 8D0 943 022	.2	7.15
	L 8D0 943 021 E	.2	10.20
1999	To VIN X240000		
	R 8D0 943 022	.2	7.15
	L 8D0 943 021 E	.2	10.20
	From VIN X240001		
	R 8D0 943 022	.2	7.15
	L 8D0 943 021 E	.2	10.20
2000-02	R 8D0 943 022	.2	7.15
	L 8D0 943 021 E	.2	10.20
Wagon	98-99 R/L 8D9 943 021	.2	10.20
	00-02 R/L 4B5 943 022-1	.2	10.20
	R/L N 017 725 2	.2	1.90

2 Bulb] (Included w/License Lamp Assy)

HIGH MOUNT STOP LAMP SEDAN



022-00935

1 Lamp Assy, Stop] (Located at Bottom of Rear Window) 8D5 945 122 .3 28.75
2 Bulb] (4) N 017 753 2 1.30
(Included w/Stop Lamp Assy)

3 Cover, Lamp 1996-98

Anthracite Gray	8D5 945 121 BE5	16.40
Aqua Blue	8D5 945 121 H53	16.80
Ecru Beige	8D5 945 121 BQ1	16.40
Titan Gray	8D5 945 121 BP6	16.40

1999

To VIN X199999		
Anthracite Gray	8D5 945 121 BE5	16.40
Aqua Blue	8D5 945 121 H53	16.80
Ecru Beige	8D5 945 121 BQ1	16.40
Titan Gray	8D5 945 121 BP6	16.40

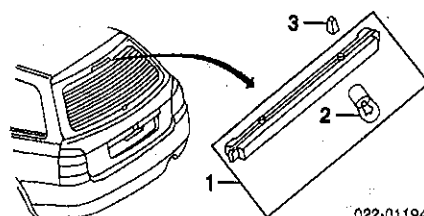
From VIN X200001

Clay	8D5 945 090 52A	19.00
Ecru Beige	8D5 945 090 9NS	19.00
Lago	8D5 945 090 3PQ	d18.50
Onyx	8D5 945 090 5SD	19.00
Maritime Blue	8D5 945 090 54C	d18.50
Mussel Gray	8D5 945 090 6RS	19.00
Slate Gray	8D5 945 090 6PP	d18.50

2000-02

Clay	8D5 945 090 52A	19.00
Ecru Beige	8D5 945 090 9NS	19.00
Lago	8D5 945 090 3PQ	d18.50
Onyx	8D5 945 090 5SD	19.00
Maritime Blue	8D5 945 090 54C	d18.50
Mussel Gray	8D5 945 090 6RS	19.00
Slate Gray	8D5 945 090 6PP	d18.50

HIGH MOUNT STOP LAMP WAGON



022-01194

1 Lamp Assy, Stop 8D9 945 097 B .3 45.00
2 Bulb] (10) N 900 510 02 1.50
3 Nut (Included w/Stop Lamp Assy) 811 807 577 C .73

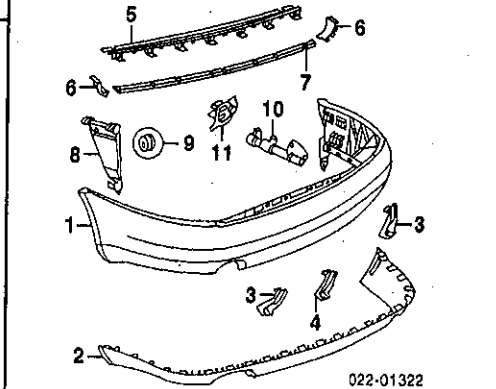
REAR BUMPER

Use Procedure Explanations 27 and 28 with the following text.

1996-98

Refinish Rear Cover 2.0
R&I Bumper Assy8
O/H Bumper Assy (Includes R&I) 1.5

NOTE: All Parts in this section are included in overhaul unless noted otherwise.



022-01322

1 Cover, Rear (P) Sedan 8D5 807 303 B GRU 1.5 404.45
Wagon 8D9 807 303 B GRU 1.5 374.05
(P) Paint to Match

2 Spoiler, Bumper Sedan 8D0 807 521 A 3FZ #.3 126.40
Wagon 8D0 807 521 E 3FZ #.3 126.40
#w/Rear Cover Removed, Included in R&R Rear Bumper Cover

3 Brkt, Outer Mounting R 8D0 807 435 B 3.05
L 8D0 807 435 3.05
4 Brkt, Center Mounting 8D0 807 435 A 3.05

5 Cover, Upper Ctr Bumper Wagon 8D9 807 091 B 3FZ #.2 34.45
#w/Rear Cover Removed

6 Cover, Outer Bumper Sedan 8D9 807 796 3FZ 23.55
Wagon 8D9 807 795 3FZ 23.55

7 Support, Upper Cover Wagon 8D9 807 985 d13.90

8 Brkt, Guide R/L 8D0 807 484-3 IOH 4.65
9 Rivet (3/Side) R/L 443 807 300 A .67

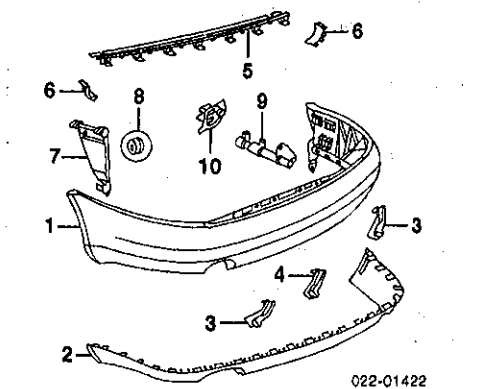
10 Absorber, Impact Sedan R/L 8D0 807 378-7 #.2 182.80
Wagon R 8D0 807 378 A #.2 125.40
L 8D0 807 377 A #.2 125.40
#w/Bumper Assy Removed

11 Seal, Absorber 1996-97 R 1H9 864 733 4.05
L 8D0 807 185 A 2.00
1998 To VIN W080000 R 1H9 864 733 4.05
L 8D0 807 185 A 2.00
From VIN W080001 R 8D0 807 186 B 2.00
L 8D0 807 185 B 2.00

1999 TO VIN X199999

Refinish Rear Cover 2.0
R&I Bumper Assy8
O/H Bumper Assy (Includes R&I) 1.5

NOTE: All Parts in this section are included in overhaul unless noted otherwise.



022-01422

1 Cover, Rear (P) Sedan 8D5 807 303 B GRU 1.5 404.45
Wagon 8D9 807 303 B GRU 1.5 374.05
(P) Paint to Match

2 Spoiler, Bumper Sedan 8D0 807 521 A 3FZ #.3 126.40
Wagon 8D0 807 521 E 3FZ #.3 126.40
#w/Rear Cover Removed, Included in R&R Rear Bumper Cover

3 Brkt, Outer Mounting R 8D0 807 435 B 3.05
L 8D0 807 435 3.05
4 Brkt, Center Mounting 8D0 807 435 A 3.05

5 Cover, Upper Ctr Bumper Wagon 8D9 807 091 B 3FZ #.2 34.45
#w/Rear Cover Removed

6 Cover, Outer Bumper Sedan 8D9 807 796 3FZ 23.55
Wagon 8D9 807 795 3FZ 23.55